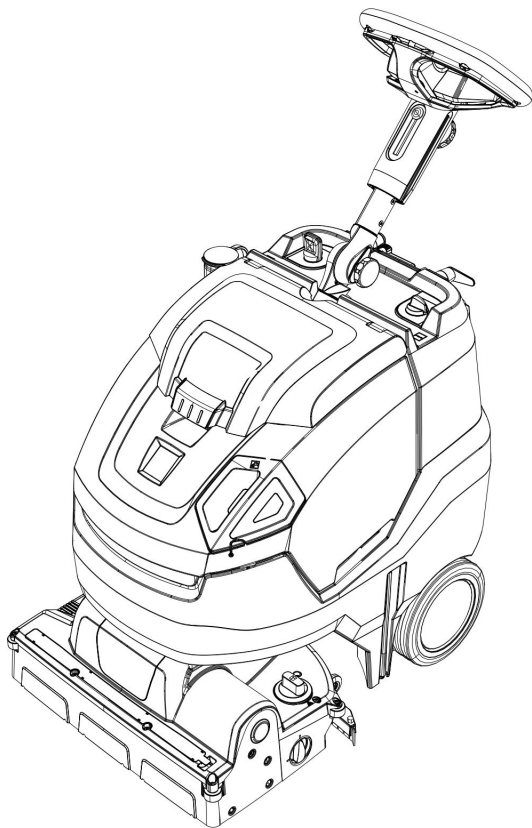


# KÄRCHER

makes a difference

**BR 45/22 C**

English	3
Français	20
Español	38



**Register and win!**  
[www.kärcher.com/register-and-win](http://www.kärcher.com/register-and-win)



59560950 03/18



## IMPORTANT SAFETY INSTRUCTIONS

### READ ALL INSTRUCTIONS BEFORE USING THIS APPLIANCE

#### ⚠ **WARNING**

To reduce the risk of fire, electric shock, or injury:

- DO NOT LEAVE appliance unattended when plugged in. Unplug from outlet when not in use and before servicing.

#### ⚠ **WARNING**

- TO REDUCE THE RISK OF ELECTRIC SHOCK-USE INDOORS ONLY

- Do not allow to be used as a toy. Close attention is necessary when used by or near children.
- Use only as described in this manual. Use only manufacturer's recommended attachments.
- Do not use with damaged cord or plug. If the unit is not working as it should, has been dropped, damaged, left outdoors, or dropped into water, return it to a service center.
- Do not pull or carry by the cord, do not use cord as a handle, do not close a door on the cord, or pull cord around sharp edges or corners. Do not run appliance over cord. Keep cord away from heated surfaces.
- Do not unplug by pulling on cord. To unplug, grasp the plug, not the cord.
- Do not handle plug or appliance with wet hands.
- Do not put any object into openings. Do not use with any openings blocked; keep free of dust, lint, hair and anything that may reduce air flow.

- Keep hair, loose clothing, fingers and all parts of body away from openings and moving parts.
- Turn off all controls before unplugging.
- Use extra care when cleaning on stairs.
- Do not use to pick up flammable or combustible liquids, such as gasoline, or use in areas where they may be present.
- Connect to a properly grounded outlet only. See Grounding Instructions.
- Always disconnect cord from electrical outlet before servicing appliance.
- Never sweep off explosive liquids, combustible gases or undiluted acids and solvents. This includes petrol, paint thinner or heating oil which can generate explosive fumes or mixtures upon contact with the air. Acetone, undiluted acids and solvents must also be avoided as they can harm the materials on the machine.
- Do not vacuum up burning or smouldering objects!

### GROUNDING INSTRUCTIONS

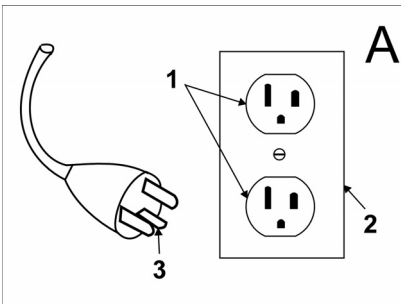
This product must be grounded. If it should malfunction or breakdown, grounding provides a path of least resistance for electric current to reduce the risk of electric shock. This product is equipped with a cord having an equipment-grounding conductor and a grounding plug. The plug must be plugged into an appropriate outlet that is properly installed and grounded in accordance with all local codes and ordinances.

## **⚠ DANGER**

*Improper connection of the equipment-grounding conductor can result in a risk of electrocution. Check with a qualified electrician or service personnel if you are in doubt as to whether the outlet is properly grounded. Do not modify the plug provided with the product - if it will not fit the outlet, have a proper outlet installed by a qualified electrician. Do not use any type of adapter with this product.*

*This appliance is for use on a nominal 120-volt circuit and has a grounding attachment plug that looks like the plug illustrated in sketchpicture A. Make sure that the appliance is connected to an outlet having the same configuration as the plug. No adaptor should be used with this appliance.*

### **CONNECT TO A PROPERLY GROUNDED OUTLET ONLY**



- 1 Grounded outlet
- 2 Grounded outlet box
- 3 Grounded pin

## **OPERATING SAFETY RULES AND PRACTICES**

### **Owner/User Responsibility**

The owner and/or user must have an understanding of the manufacturer's operating instructions and warnings before using this pressure washer.

Warning information should be emphasized and understood.

If the operator is not fluent in English, the manufacturer's instructions and warnings shall be read to and discussed with the operator in the operator's native language by the purchaser/owner, making sure that the operator comprehends its contents.

Owner and/or user must study and maintain for future reference the manufacturers' instructions.

### **General**

Before starting to operate the unit be in operating position.

Do not start or operate the unit, any of its functions or attachments, from any place other than from the designated operators position.

Before leaving the operator's position:

- A bring the unit to a complete stop;
- B if the unit must be on an incline, block the wheels.

Maintain a safe distance from the edge of ramps, platforms, and other similar working surfaces.

Do not add to, or modify the unit.

Do not block access to fire aisles, stairways or fire equipment.

### **Travelling**

Yield the right of way to pedestrians and emergency vehicles such as ambulances and fire trucks.

Cross railroad tracks at an angle whenever possible. Do not park closer than 6 ft (1800 mm) to the nearest rail of a railroad track.

Keep a clear view of the path of travel and observe for other traffic, personnel, and safe clearances.

Under all travel conditions, operate the unit at a speed that will permit it to be brought to a stop in a safe manner.

Do not indulge in stunt driving or horse-play.

Slow down for wet and slippery floors. Before driving over a dockboard or bridge plate, be sure that it is properly secured. Drive carefully and slowly across the dockboard or bridge plate, and never exceed its rated capacity. When negotiating turns, reduce speed to a safe level consistent with the operating environment. Make the turns smoothly.

### Operator care of the unit

If the unit is found to be in need of repair or in any way unsafe, or contributes to an unsafe condition, the matter shall be reported immediately to the user's designated authority, and the unit shall not be operated until it has been restored to safe operating condition.

If during operation the unit becomes unsafe in any way, the matter shall be reported immediately to the user's designated authority, and the unit shall not be operated until it has been restored to safe operating condition.

Do not make repairs or adjustments unless specifically authorized to do so.

### MAINTENANCE AND REBUILD PRACTICES

Operation of the unit may be hazardous if maintenance is neglected or repairs, rebuilds, or adjustments are not performed in accordance with the manufacturer's design criteria. Therefore, maintenance facilities (on or off premises), trained personnel, and detailed procedures shall be provided.

Maintenance and inspection of the unit shall be performed in conformance with the following practices:

A a schedules planned maintenance, lubrication, and inspection system

shall be followed; consult the manufacturer's recommendations.

B Only trained and authorized persons shall be permitted to operate a powered floor scrubber. Operators of powered floor scrubbers shall be qualified as to visual, auditory, physical, and mental ability to operate the equipment safely.

Avoid fire hazards and have fire protection equipment present in the work area. Do not use open pans of fuel or flammable cleaning fluids for cleaning parts.

### FIRE SAFETY STANDARD

Any unit not in safe operating condition shall be removed from service.

Repairs shall not be made in Class I, Class II, and Class III locations.

**Fire Prevention.** The unit shall be kept in a clean condition and reasonably free of lint, excess oil, and grease.

Noncombustible agents are preferred for cleaning the unit. Flammable liquids [those having flash points at or above 100°F (37,8°C)] are not allowed. Precautions regarding toxicity, ventilation, and fire hazard shall be appropriate for the agent or solvent used.

**Nameplate Visibility.** The unit type designations as shown on the nameplate and the type markers shall not be covered over with paint so that their identification information is obscured.



Please read and comply with these original instructions prior to the initial operation of your appliance and store them for later use or subsequent owners.

## Contents

Safety instructions . . . . .	EN	4
Function . . . . .	EN	5
Proper use . . . . .	EN	5
Environmental protection . .	EN	5
Control elements . . . . .	EN	6
Before Startup . . . . .	EN	7
Operation . . . . .	EN	8
Transport . . . . .	EN	11
Shutting down . . . . .	EN	11
Storage . . . . .	EN	12
Care and maintenance . . . .	EN	12
Disposal . . . . .	EN	13
Faults . . . . .	EN	14
Accessories . . . . .	EN	16
Technical specifications . . .	EN	17
Warranty . . . . .	EN	17
Spare parts . . . . .	EN	17

## Safety instructions

Before using the appliance for the first time, read and observe these operating instructions and the accompanying brochure: Safety information for brush cleaning units, 5.956-251.0.

### ⚠ **WARNING**

*Do not use the appliance on inclines. The appliance may only be operated when the container and all lids are closed.*

### Hazard levels

#### ⚠ **DANGER**

*Pointer to immediate danger, which leads to severe injuries or death.*

#### ⚠ **WARNING**

*Pointer to a possibly dangerous situation, which can lead to severe injuries or death.*

#### ⚠ **CAUTION**

*Pointer to a possibly dangerous situation, which can lead to minor injuries.*

#### **ATTENTION**

*Pointer to a possibly dangerous situation, which can lead to property damage.*

### Information on battery (accumulator) and charger

Lithium-ion batteries are installed in the appliance. These are subject to special criteria. The removal and the installation as well as the examination of defective batteries may only be performed by the Kärcher aftersales service or a specialist.

Information on storage and transport can be obtained from your Kärcher aftersales service.

#### ⚠ **DANGER**

- *Alterations and modifications on the appliance are prohibited.*
- **Do not open the battery**, as there is a risk of an electrical shock; also, irritating or caustic vapors can escape.
- **Do not expose the battery to direct sunlight, heat or fire**, there is a risk of explosion.
- *Do not operate the charger in explosive environment.*
- *Ensure sufficient ventilation during the charging process.*
- *Do not use the charger if dirty or wet.*
- *Do not work with open flames, generate sparks or smoke in the vicinity of a battery or a battery charging room. Danger of explosion.*

#### ⚠ **WARNING**

- *Check the appliance and the power cable for damage prior to every use. Do not use damaged appliances and have damaged parts repaired by specialists only.*

Keep children away from batteries and charger.

Do not charge damaged batteries. Have damaged batteries replaced by the Kärcher aftersales service.

- Do not discard defective batteries in the domestic waste, inform Kärcher aftersales service.
- Avoid contact with liquids oozing out of defective battery packs. Rinse thoroughly if you accidentally come in contact with the fluid. Also consult a doctor if the fluid comes in contact with your eyes.

### **⚠ CAUTION**

- These operating instructions must be observed unconditionally. Observe recommendations of the lawmaker for handling batteries.
- The mains voltage must correspond with the voltage indicated on the type plate of the appliance.
- Use the charger only to charge approved battery packs.
- The accumulator may only be operated with this appliance. It is dangerous and prohibited to use it for other purposes.

## **Safety installations**

If the safety switch is released, the brush drive shuts off.

## **Function**

The scrubbing vacuum cleaner is used for the wet cleaning of level floors. It can be easily adjusted to the cleaning task by setting the water quantity. A working width of 450 mm and a capacity of 22 l in the fresh and waste water tank each enable effective cleaning with long working times.

The battery can be charged on a 110 V power outlet by means of the integrated charger.

## **Proper use**

Use this appliance only as directed in these operating instructions.

- This appliance is suited for the commercial use, e.g. in hotels, schools, hospitals, factories, shops, offices, and rental companies.
- The appliance should only be used for cleaning level floors that are not affected by moisture.
- This appliance is intended for inside use.
- The appliance is not suited for the cleaning of frozen grounds (e.g. in cold stores).
- The appliance may only be equipped with original accessories and spare parts.

## **Environmental protection**



The packaging material can be recycled. Please do not place the packaging into the ordinary refuse for disposal, but arrange for the proper recycling.



Old appliances contain valuable materials that can be recycled.

■ Please arrange for the proper recycling of old appliances. Please dispose your old appliances using appropriate collection systems.

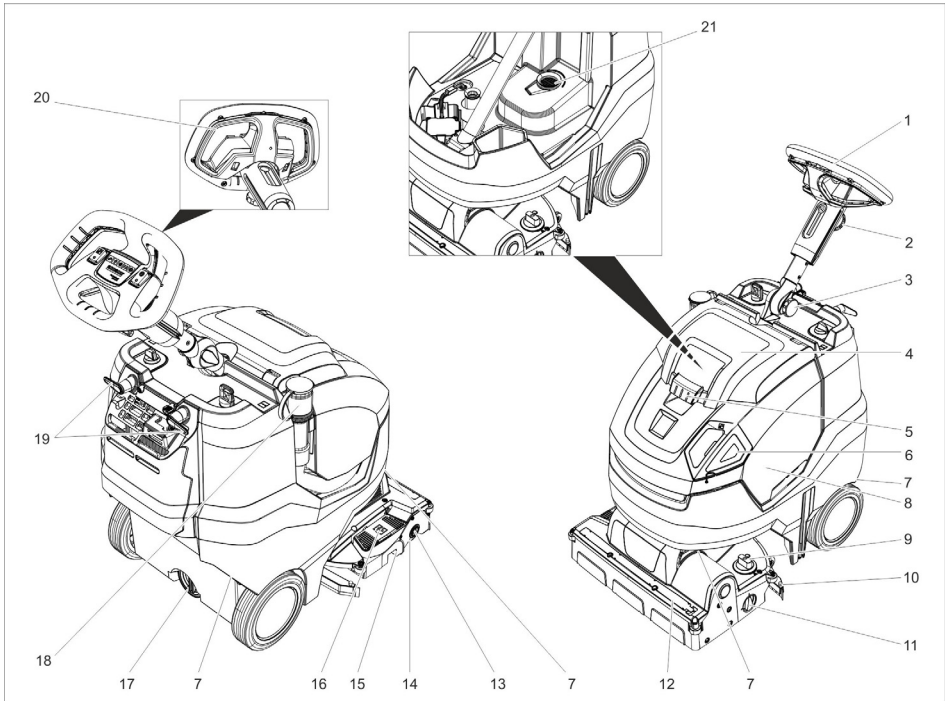
Electrical and electronic devices often contain components which could potentially pose a danger to human health and the environment if handled or disposed of incorrectly. However, these components are necessary for the proper operation of the device. Devices marked with this symbol must not be disposed of with regular household rubbish.

### **Information on ingredients (REACH)**

The latest information on ingredients can be found under:

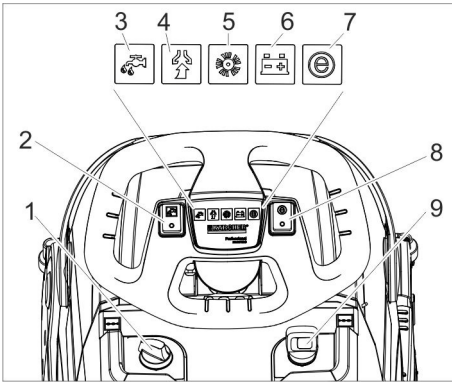
**[www.kaercher.de/REACH](http://www.kaercher.de/REACH)**

## Control elements



- |   |   |
|---|---|
| 1 Steering wheel  | 15 Coarse dirt container                      |
| 2 Star knob, height adjustment of the steering wheel        | 16 Vacuum bar lift pedal                      |
| 3 Star knob, transport position of the steering wheel       | 17 Drain outlet fresh water tank              |
| 4 Cover dirt water reservoir                                | 18 Drain hose for wastewater with dosing unit |
| 5 Unlocking device, cover waste water tank                  | 19 Cable hook, rotating                       |
| 6 Fresh water tank dosing lid                               | 20 Safety button                              |
| 7 Transport handle to lift the appliance                    | 21 Fluff filter                               |
| 8 waste water tank  |   |
| 9 Rotating handle for brush contact pressure (1=min, 4=max) |   |
| 10 Vacuum bar   |   |
| 11 Transport chassis rotary knob                            |   |
| 12 Water distribution bar                                   |   |
| 13 Unlocking button for brush roller                        |   |
| 14 Brush roller   |   |





- 1 Dosage cleaning solution
- 2 Switch for detergent solution
- 3 Control lamp to apply detergent solution
- 4 Indicator lamp vacuuming  
Green: Suction turbine in operation  
Orange, flashing: Suction turbine overloaded
- 5 Indicator lamp brush drive  
Green: Brush is rotating  
Orange, flashing: Brush overloaded
- 6 Battery status display

**In operation:**






Green Battery charged  
 Orange: Battery almost empty  
 Red Appliance switches off: Load battery

**When charging the battery:**

Orange blinking: Battery is being charged.  
 Green: Charging is complete.  
 Red: Fault during charging process.

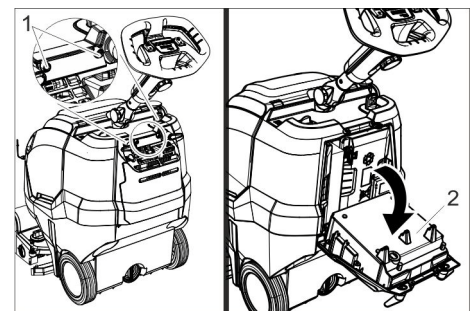
- 7 Indicator lamp Eco mode  
Blue: Eco mode  
Off: Full power
- 8 Switch Eco mode
- 9 Power switch

**Symbols on the machine**

	Fresh water filler neck
	Pedal suction bar
	Transport chassis rotary knob
	Guide for tie down strap during transport in vehicles
	Contact pressure of the roller brush

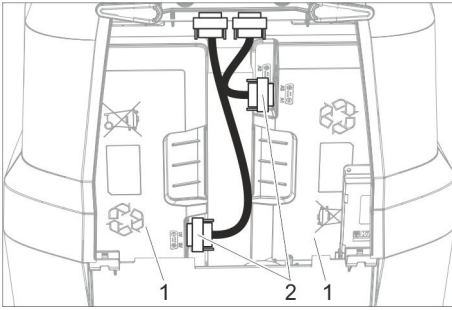
**Before Startup**

**Connecting the battery**



- 1 Screw
- 2 Charger

- Unscrew 2 screws.
- Swivel the charger down.



- 1 Battery
- 2 Plug

➔ Attach both plugs and tighten.

### Charging battery

#### Note:

The device is equipped with a safety mechanism to prevent total discharge, i.e. when the permissible minimum capacity is reached, the machine will be shut off.

The charging time takes approx. 4.5 hours.

The charger automatically switches off the charging process.

If necessary, the appliance can be used again before the battery has been fully charged.

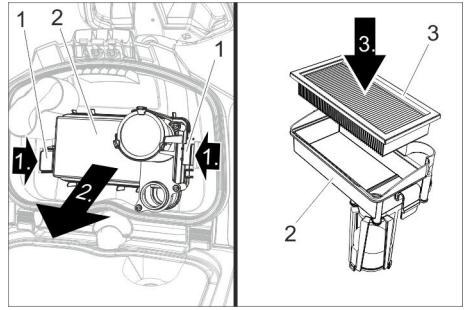
➔ Insert the mains plug into the socket.

### Operation

- ➔ Release the star knob for the transport position.
- ➔ Straighten the steering column.
- ➔ Tighten the star handle.

### Inserting the EPA filter (optional)

➔ Open the cover of the fresh water reservoir.



- 1 Locking
- 2 Filter casing
- 3 EPA filter

- ➔ Push in both locking mechanisms and remove the filter casing.
- ➔ Insert the EPA filter in the filter casing.
- ➔ Attach the filter casing on the cover of the waste water tank and engage the locking mechanism.
- ➔ Close the cover of the dirt water reservoir.

### Filling in detergents

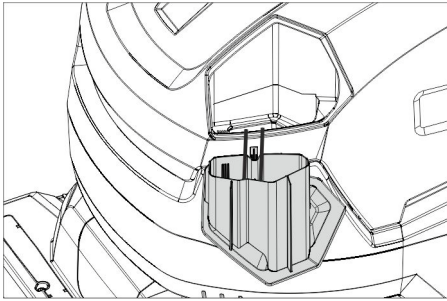
#### ⚠ WARNING

*Risk of damage. Only use the recommended detergents. With other detergents, the operator bears the increased risk regarding the operational safety, risk of accident and reduced service life of the appliance. Only use detergents that are free of solvents, hydrochloric acid and hydrofluoric acid. Follow the safety instructions for using detergents.*

#### Note:

Do not use highly foaming detergents. Observe the dosing notes.

- ➔ Remove dosing lid of the fresh water tank.
- ➔ Fill in fresh water (maximum 50 °C). Use the filler hose (accessories) if needed.



- ➔ Add detergent using the dosing lid. One capful corresponds to a 1% application.

Recommended detergents:

Application	Detergent
Regular cleaning (even for floors sensitive to alkalis)	RM 745 RM 746
Basic cleaning (stripping) of alkali-resistant hard coatings	RM 752
Basic cleaning (stripping) linoleum	RM 754
Base cleaner, acidic	RM 751
Disinfection cleaning	RM 732

Detergents are available in specialised stores.

- ➔ Close the dosing lid of the fresh water reservoir.

### Settings

- ➔ Release the star knob for the height adjustment of the steering wheel.
- ➔ Adjust the steering wheel to the desired height.
- ➔ Tighten the star handle.
- ➔ Adjust the dosing of the cleaning solution in accordance with the soiling and the type of the flooring material.
- ➔ Adjust the rotary handle of the brush contact pressure to the desired value.

Only adjust the brush contact pressure when the cleaning head is raised.

### Note:

If the appliance pulls forwards too strongly during operation, reduce the contact pressure.

- ➔ Bring the Eco mode switch into the desired position.

Normal operation: The appliance works at the maximum brush speed and the highest suction performance.

Eco: The appliance works at reduced brush speed and suction performance. This also reduces the energy consumption. The possible working time increases with one charging cycle.

### Park support

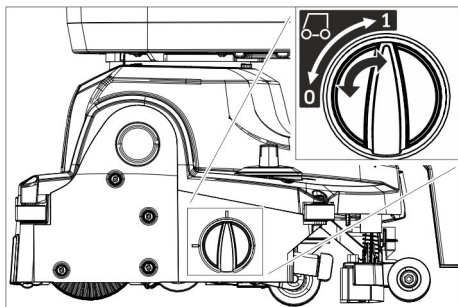
#### Lowering the park support

- ➔ Press the steering wheel downward so that the appliance lifts up towards the front. The park support swivels downwards.
- ➔ Release the steering wheel. The appliance is standing on the park support. The roller brush is unloaded and is protected from deforming.

#### Lifting the park support up

- ➔ Push the appliance forwards. The park support swivels upwards.

## Transport chassis



- 0 Transport chassis retracted
- 1 Transport chassis extended

### Extending the transport chassis

- Lower the park support.
- Turn the rotary knob to position 1 (transport chassis extended).

### Retracting the transport chassis

- Lower the park support.
- Turn the rotary knob to position 0 (transport chassis retracted).

## Cleaning

### ATTENTION

*Risk of damage to the floor covering. Do not operate the appliance on the spot.*

*Risk of damage. Lift the vacuum bar before pulling the appliance backwards over a longer distance.*

- Retract the transport chassis.
- Set the appliance switch to "I".
- Switch on "Detergent" button.
- Push down the pedal of the suction bar lifting device at the back to lower the suction bar and start suction.
- Pull the safety switch towards the steering wheel, the brush drive, the application of the cleaning solution and suction are switched on (if preset).
- Push the appliance forward until the parking stand folds up and the cleaning head touches the ground.

- Move the appliance over the surface to be cleaned.

### Note:

If the steering wheel is turned by 180°, the appliance also reverses.

### Operations stand-by

Standby mode goes off if the appliance is not used for 15 minutes with the power switch on.

### Restore standby mode:

- Set the appliance switch to "0".
- Wait for a while.
- Set the appliance switch to "I".

## Shutting Down the Appliance

- Release the safety switch.
- Drive the appliance forward for another 1-2 m to draw off residual water.
- Push down the pedal of the vacuum bar lifting device at the front to raise the vacuum bar.

### ATTENTION

*Vacuum lips and brush can be deformed permanently. Always park the appliance with the parking stand folded out.*

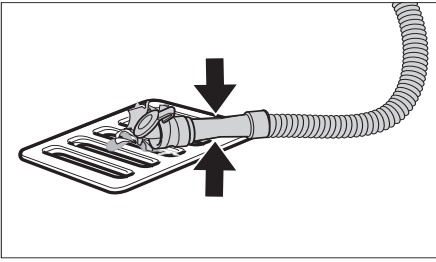
- Set the appliance switch to "0".
- Press the steering wheel downward so that the appliance lifts up towards the front.  
The park support swivels downwards.

## Emptying the waste Water tank

### △ CAUTION

*Health hazard due to improperly disposed of waste water. Please observe the local provisions regarding the wastewater treatment.*

- Retract the transport chassis.
- Lift the park support.
- Take the water discharge hose from the support and lower above a suited collection device.



- Crush or bend the dosing equipment.
- Open the lid of the dosing equipment.
- Drain off the dirt water - regulate the water quantity by pressing or bending.
- Rinse the dirt water reservoir with clear water.

### Emptying the Fresh Water Tank

#### ⚠ **WARNING**

*Please observe the local provisions regarding the wastewater treatment.*

- Unscrew the cover from the drain opening of the fresh water tank and let the cleaning solution drain.

### Frost protection

In case of danger of frost:

- Empty the fresh and waste water tank.
- Store the appliance in a frost-protected room.

### Folding down the steering column

To reduce the space requirements for transport and storage, the steering column can be folded down.

- Release the star knob for the transport position.
- Swivel the steering wheel forwards.
- Tighten the star handle.

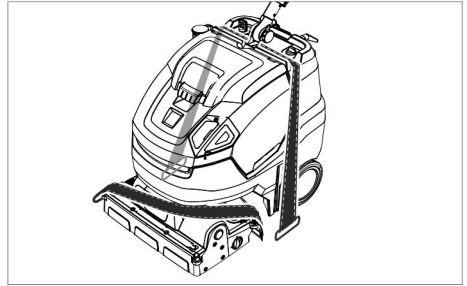
### Transport

#### ⚠ **CAUTION**

*Risk of personal injury or damage! Mind the weight of the appliance during transport.*

- Remove the brush to avoid damage to the brushes.

- Lift the appliance using the transport handles.



- When transporting in vehicles, secure the appliance according to the guidelines from slipping and tipping over.

### Shutting down

- Completely charge the battery prior to longer operational breaks extending over several weeks.
- Set the appliance switch to "0".

#### **ATTENTION**

*Risk of damage to the battery due to total discharge.*

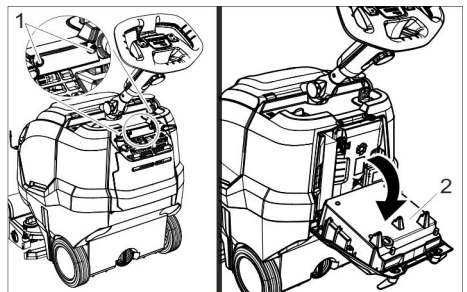
*Always switch the power switch to "0" during operational breaks.*

### Additional for appliance with fleet

#### **ATTENTION**

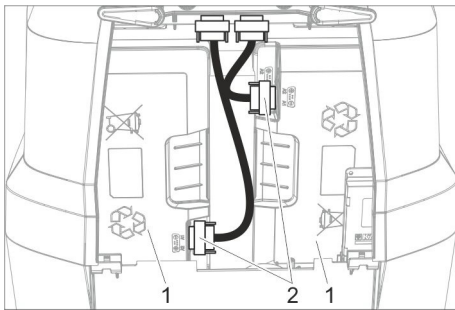
*Risk of damage to the battery due to total discharge.*

- *Disconnect for operational breaks exceeding 4 months.*



- 1 Screw
  - 2 Charger
- Unscrew 2 screws.

→ Swivel the charger down.



1 Battery

2 Plug

→ Undo both plugs and disconnect.

## Storage

### ⚠ CAUTION

*Risk of personal injury or damage!  
Consider the weight of the appliance when storing it.*

This appliance must only be stored in interior rooms.

## Care and maintenance

### ⚠ DANGER

*Risk of injury. Turn the appliance switch to "0" and pull the mains plug of the charger prior to performing any work on the appliance.*

### ATTENTION

*Risk of damage for the appliance due to leaking water. Drain the wastewater and remaining fresh water prior to performing tasks on the appliance.*

→ Park the machine on an even surface.

## Maintenance schedule

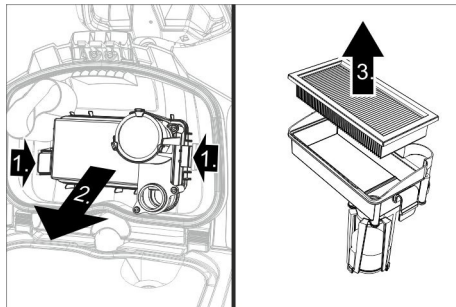
### After the work

### ATTENTION

*Risk of damage. Do not sluice the appliance with water and do not use aggressive detergents.*

→ Drain off dirt water.

→ Open the cover of the fresh water reservoir.



→ Remove the EPA filter (optional) and allow it to dry outside of the appliance.

→ Rinse the inside of the cover and the float with water.

→ Rinse the waste water tank with clear water.

→ Clean the vacuum bar.

→ Remove bulk waste container and empty it.

→ Clean the outside of the appliance with a damp cloth which has been soaked in mild detergent.

→ Clean the vacuum lips, check for wear and replace them if required.

→ Clean brush.

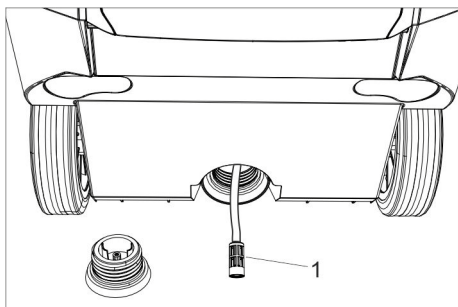
→ Check the brush for wear and replace if required (see "Maintenance tasks").

→ Charge battery if required.

## Weekly

→ Remove the water distribution bar on the cleaning head and clean the water channel.

→ Clean the fluff filter.



- 1 Fresh water filter
- ➔ Unscrew the cover from the drain opening of the fresh water tank.
  - ➔ Take out the fresh water filter and rinse with clean water.

### Monthly

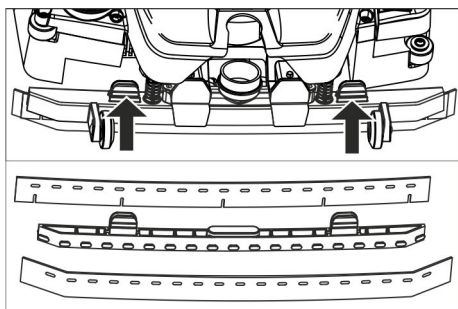
- ➔ Check the condition of the seals between waste water tank and cover, replace if required.

### Yearly

- ➔ Have the prescribed inspection carried out by the customer service.

## Maintenance Works

### Replacing the suction lips



- ➔ Compress the fastening devices and pull the vacuum lips out of the vacuum bar towards the bottom.
- ➔ Remove the vacuum lips from the holder.

### Note:

Thanks to the perforation pattern the vacuum lips cannot be mixed up. They cannot be turned and reinstalled.

- ➔ Replace vacuum lips.
- ➔ Insert the holder with the vacuum lips into the vacuum bar and snap into place.

### Replacing the brush roller

#### ⚠ WARNING

*Risk of crushing due to the park support folding in during brush replacement. Turn the steering wheel 45° to the left before commencing brush replacement.*

- ➔ Press the release button for the brush roller and swivel the brush roller toward the bottom and pull it off the driver.
- ➔ Place the new brush roller on the driver and lock into place on the opposite side.

### Maintenance contract

To ensure a reliable operation of the appliance maintenance contracts can be concluded with the competent Kärcher sales office.

## Disposal

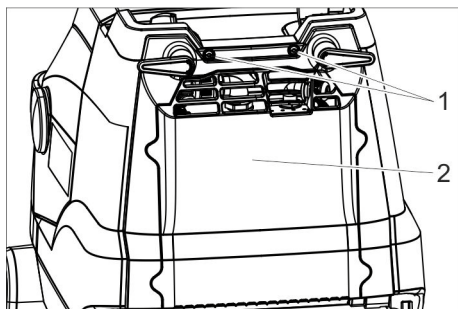
### Removing the batteries

#### ⚠ DANGER

*The removal of the batteries may only be performed by Kärcher Customer Service or a specialist.*

*Classification as whether the batteries are damaged is done by an authorised Customer Service technician*

*The Chapter "Safety instructions" for handling accumulators must be observed unconditionally.*



- 1 Screw
- 2 Cover

- ➔ Unscrew 2 screws.
- ➔ Swivel the lid downwards.
- ➔ Loosen and remove the battery plug.
- ➔ Remove the left-hand battery.
- ➔ Remove the right-hand battery.
- ➔ Dispose of the used batteries according to the local provisions.

## Faults

### **⚠ DANGER**

*Risk of injury. Turn the appliance switch to "0" and pull the mains plug of the charger prior to performing any work on the appliance.*

### **ATTENTION**

*Risk of damage for the appliance due to leaking water. Drain the wastewater and remaining fresh water prior to performing tasks on the appliance.*

In case of faults that cannot be remedied using the table below please contact the customer service.

### Faults with display

Display	Fault	Remedy
The brush drive indicator lamp blinking orange	Control is overheated	Switch off the power switch, wait a few minutes, switch on the power switch again.
	Brush is blocked.	Check if foreign matters are blocking the brush roller; remove foreign matter if required.
The suction indicator lamp blinking orange	Control is overheated	Switch off the power switch, wait a few minutes, switch on the power switch again.
Batter status display blinking red	Fault during charging process.	Disconnect the power cord plug of the charger. Wait for 10 seconds. Plug in the power cord plug. If the error message appears again: Call customer service.
Eco mode indicator lamp blinking blue	Battery capacity nearly exhausted, appliance working at reduced power.	Charge battery.



## Faults without display

Fault	Remedy
Appliance cannot be started	Switch on the appliance switch, wait 3 seconds, check charge condition of the battery.
Insufficient water quantity	Check fresh water level, refill tank if necessary.
	Switch on "Detergent" button.
	Clean the fresh water filter.
	Remove the water distribution bar on the cleaning head and clean the water channel.
Insufficient vacuum performance	Lower the vacuum bar.
	Empty the waste water tank.
	Clean the seals between waste water tank and cover and check for tightness, replace if required.
	Clean the vacuum lips on the vacuum bar, turn or replace if required
	Check if the suction hose and vacuum bar are chocked, clean if required
	Check the suction hose for tightness; replace if required.
	EPA filter (optional) soiled, replace.
Insufficient cleaning result	Retract the transport chassis.
	Check/set the brush contact pressure.
	Check the brush type and the detergent for their suitability.
	Check the brushes for wear, replace if required.
Brush does not turn	Pull the safety switch towards the steering wheel.
	Check if foreign matters are blocking the brush roller; remove foreign matter if required.
	Switch off the switch for the brush drive, wait for a short period of time, switch the switch back on.

## Accessories

The appliance can be equipped with various accessories depending on the cleaning task. Please request our catalogue or visit us on the Internet at [www.kaercher.com](http://www.kaercher.com).

Description	Part no.:	Description
Brush roller, white (soft)	4.762-405.0	For polishing floors.
Brush roller, red (medium, standard)	4.762-392.0	For cleaning slightly dirtied or sensitive floors.
Brush roller, green (hard)	4.762-407.0	For cleaning heavily dirtied floors.
Brush roller, orange (high/ low)	4.762-406.0	For scrubbing structured floors (safety tiles, etc.).
Microfibre roller	4.037-093.0	Cleaning brush made of microfibres with especially high cleaning performance, especially for fine stone tiles.
Pad roller shaft	4.762-413.0	For intake of roller pads.
Roller pad, red (medium)	6.367-107.0	For cleaning slightly dirtied floors.
Roller pad, green (hard)	6.367-106.0	For cleaning normal to heavily dirtied floors.
Roller pad, yellow (soft)	6.367-105.0	For polishing floors.
Fill hose	6.680-124.0	For filling the fresh water tank
Suction lip kit	4.037-094.0	As replacement
EPA filter	6.414-631.0	

## Technical specifications

### Power

Nominal voltage	V	25.2
Battery capacity	Ah (5h)	42
Battery type	--	Li-ion
Mean power consumption Power/Eco	W	650/350
Type of protection	--	IPX3
Protective class	--	1
Suction engine output	W	280
Brush engine output	W	185
Operating temperature range	°C (°F)	2...40 (36...104)
Max. water temperature	°C (°F)	50 (122)

### Vacuuuming

Suction performance, air quantity Power/Eco	l/s (cfm)	20/15 (42/ 30)
Suction performance, vacuum Power/Eco	kPa (psi)	8/5 (1.2/ 0.7)

### Cleaning brushes

Working width	mm (in)	450 (17.7)
Brush diameter	mm (in)	96 (3.8)
Brush speed Power/Eco	1/min	1050/750

### Charger

Voltage	V/Hz	100...120/ 50-60
Current pickup, max.	A	4

### Dimensions and weights

Theoretical surface cleaning performance	m <sup>2</sup> /h (ft <sup>2</sup> /h)	1800 (19400)
--	---	-----------------

Fresh/waste water tank volume	l (gal)	22 (5.8)
Permissible overall weight	kg (lbs)	70 (154)
Transport weight	kg (lbs)	48 (106)
Length x width x height	mm (in)	970 x 530 x 1115 (38.2 x 20.9 x 43.9)
Length x width x height Transport	mm (in)	780 x 530 x 815 (30.7 x 20.9 x 32.1)

### Values determined as per EN 60335-2-72

Total oscillation value	m/s <sup>2</sup>	<2.5
Uncertainty K	m/s <sup>2</sup>	0.2
Sound pressure level L <sub>pA</sub>	dB(A)	66.5
Uncertainty K <sub>pA</sub>	dB(A)	2
Sound power level L <sub>WA</sub> + Uncertainty K <sub>WA</sub>	dB(A)	87

## Warranty

The warranty terms published by our competent sales company are applicable in each country. We will repair potential failures of your accessory within the warranty period free of charge, provided that such failure is caused by faulty material or defects in fabrication. In the event of a warranty claim please contact your dealer or the nearest authorized Customer Service center. Please submit the proof of purchase.

## Spare parts

Only use original accessories and spare parts, they ensure the safe and trouble-free operation of the device. For information about accessories and spare parts, please visit [www.kaercher.com](http://www.kaercher.com).

## CONSIGNES DE SÉCURITÉ IMPORTANTES

### READ ALL INSTRUCTIONS BEFORE USING THIS APPLIANCE

#### ⚠ **AVERTISSEMENT**

Pour réduire les risques d'incendie, de choc électrique ou de blessure:

- NE PAS LAISSER l'appareil sans surveillance lorsqu'il est branché. Débrancher l'appareil lorsqu'il n'est pas utilisé et avant de procéder à l'entretien.

#### ⚠ **AVERTISSEMENT**

- UTILISER L'APPAREIL EXCLUSIVEMENT À L'INTÉRIEUR POUR RÉDUIRE LES RISQUES D'ÉLECTROCUTION
- Ne pas permettre une utilisation comme jouet. Ne jamais le laisser sans surveillance attentive lorsqu'il est utilisé par ou à proximité d'enfants.
- Respecter impérativement les consignes d'utilisation de ce manuel. Utiliser uniquement les accessoires recommandés par le fabricant.
- Ne pas mettre l'appareil en service en cas d'endommagement du cordon ou de la prise. Si l'appareil ne fonctionne pas correctement, s'il est tombé, s'il a été endommagé, s'il est resté à l'extérieur ou est tombé dans l'eau, le retourner à un centre de service.
- Ne pas tirer ou transporter l'appareil par le cordon électrique ou se servir de ce dernier comme d'une poignée. Veiller à ne pas coincer le cordon dans une porte et éviter de le tirer sur des bords ou des coins tranchants. Ne pas laisser l'appareil rouler sur le cordon. Tenir le cordon à l'écart des surfaces chaudes.

- Ne pas tirer sur le cordon électrique pour débrancher l'appareil. Tirer au niveau de la fiche pour déconnecter l'appareil du secteur.
- Ne pas manipuler l'appareil ou la fiche électrique avec les mains mouillées.
- Ne rien introduire dans les orifices. Ne pas utiliser l'appareil si l'un des orifices est obstrué. Protéger les orifices de la poussière, des peluches, des cheveux et autres matières susceptibles de réduire le débit d'air.
- Veiller à ne pas approcher les cheveux, vêtements larges, doigts ou toute autre partie du corps des orifices et composants mobiles de l'appareil.
- Désactiver toutes les commandes avant de débrancher l'appareil.
- Faire particulièrement attention lors du nettoyage d'escaliers.
- Ne pas aspirer de liquides inflammables ou combustibles, tels que de l'essence avec l'appareil. Ne pas utiliser ce dernier dans des zones susceptibles de contenir de tels produits.
- Brancher uniquement sur une prise correctement reliée à la terre. Voir les instructions de mise à terre.
- Toujours déconnecter l'appareil du secteur, avant de procéder à de quelconques opérations d'entretien.
- Ne jamais balayer de liquides explosifs, de gaz inflammables, ni d'acides ou de solvants non dilués ! Il s'agit notamment de substances telles que l'essence, les diluants pour peintures, ou le fuel, qui, en tourbillonnant avec l'air, risqueraient de produire des vapeurs ou des mélanges, ou de substances telles que l'acétone, les acides ou

les solvants non dilués, qui pourraient altérer les matériaux constitutifs de l'appareil.

- Ne pas aspirer d'objets enflammés ou incandescents !

### Instructions de mise à terre

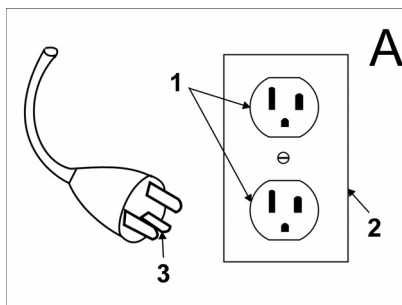
Ce produit doit être mis à la terre. En cas de mauvais fonctionnement ou de panne, la mise à la terre établit un chemin de moindre résistance pour le courant électrique afin de réduire le risque de décharge électrique. Ce produit est équipé d'un cordon doté d'un conducteur de mise à la terre de l'équipement et d'une prise de mise à la terre. La prise doit être branchée dans une prise appropriée qui est correctement installée et mise à la terre en conformité avec les codes et ordonnances locaux.

#### **⚠ DANGER**

*Un conducteur de mise à la terre d'équipement incorrectement branché peut entraîner un risque d'électrocution. Vérifier avec un électricien ou un technicien d'entretien qualifié en cas de doute sur la mise à terre correcte de la prise. Ne pas modifier la fiche fournie avec le produit - si elle ne peut pas être branchée, faire installer une prise appropriée par un électricien qualifié. N'utiliser aucun type d'adaptateur avec ce produit.*

*Cet appareil a été conçu pour fonctionner à une tension nominale de 120 volts ; sa fiche de mise à la terre est similaire à celle illustrée à la figure A. S'assurer que la prise de courant utilisée est compatible avec la fiche secteur. Ne pas utiliser d'adaptateur pour brancher cet appareil.*

**BRANCHER UNIQUEMENT SUR UNE PRISE CORRECTEMENT RELIÉE A LA TERRE**



- 1 Prise reliée à la terre
- 2 Socle de prise de courant
- 3 Fiche de mise à terre

## REGLES DE SECURITE ET PRATIQUES RELATIVES A L'UTILISATION

### Responsabilité du propriétaire/de l'utilisateur

Avant d'utiliser ce nettoyeur pression, le propriétaire et/ou l'utilisateur doit impérativement avoir pris connaissance des consignes d'utilisation et mises en garde du fabricant.

Il est nécessaire d'insister sur les avertissements et de les comprendre.

Si l'utilisateur ne parle pas couramment l'anglais, l'acheteur/le propriétaire doit lire les consignes et mises en garde du fabricant avec l'utilisateur dans la langue maternelle de ce dernier et s'assurer qu'il en comprend bien le contenu.

Le propriétaire et/ou l'utilisateur doit se familiariser avec les consignes du fabricant et les conserver afin de pouvoir s'y référer ultérieurement.

### Généralités

Avant de commencer à faire fonctionner l'unité, soyez dans une position d'opération.

Ne pas démarrer ou utiliser l'appareil, ni aucune de ses fonctions ou acces-

soires, à partir d'un autre endroit que celui réservé à l'utilisateur.

Avant de quitter le poste de l'utilisateur :

A arrêter l'appareil ;

B si l'appareil doit stationner sur une pente, caler les roues.

Conserver une distance de sécurité avec les bords des rampes, des plates-formes et de toutes les autres surfaces de travail du même type.

Ne pas ajouter d'accessoires à l'appareil ni le modifier de quelque manière que ce soit.

Ne pas stationner à un endroit où l'appareil risque d'entraver les issues de secours, les cages d'escaliers ou les équipements de lutte contre l'incendie.

### Conduite

Céder la priorité aux piétons ainsi qu'aux véhicules d'urgence comme les ambulances et les camions de pompiers.

Traverser les voies ferrées à angle droit lorsque c'est possible. Ne pas garer l'appareil à moins de 1,8 m de la voie ferrée ou du rail le plus proche.

Veiller à conserver une vue bien dégagée du trajet à emprunter et être attentif à la circulation des autres véhicules, aux déplacements des membres du personnel, ainsi qu'aux espaces de dégagement.

Quelles que soient les conditions de circulation, conserver une vitesse permettant d'arrêter l'appareil en toute sécurité.

Ne jamais adopter de conduite dangereuse (cascades, acrobaties etc.)

Ralentir sur les sols mouillés et glissants.

Avant de déplacer l'appareil sur un pont de chargement ou un pont de liaison, s'assurer que celui-ci est correctement sécurisé. Avancer prudemment et lentement sur le pont de chargement

ou pont de liaison. Ne jamais dépasser la charge maximale autorisée.

Dans les virages, ralentir et adopter une vitesse de sécurité adaptée à l'environnement d'utilisation. Les virages doivent être abordés sans à-coups.

### Entretien de l'appareil par l'utilisateur

Si le véhicule a besoin d'être réparé ou présente un risque quelconque, l'utilisateur doit le signaler immédiatement à son responsable et ne pas utiliser l'appareil avant résolution du problème.

Si, en cours d'utilisation, le véhicule s'avère dangereux de quelque façon que ce soit, signaler immédiatement le problème au responsable concerné et cesser l'utilisation de l'appareil avant résolution du problème.

Ne pas effectuer de réparations ou réglages à moins d'y être expressément autorisé.

### PROCEDURES D'ENTRETIEN ET DE REMISE EN ETAT

L'utilisation de l'appareil peut devenir dangereuse si l'entretien est négligé ou si la remise en état ou les réglages nécessaires ne sont pas effectués en conformité avec les recommandations du fabricant. Par conséquent, il est nécessaire de prévoir des ateliers de maintenance, à l'intérieur ou l'extérieur des bâtiments, avec du personnel dûment formé, ainsi que d'établir des procédures détaillées.

La maintenance et l'inspection de l'appareil doivent être effectuées conformément aux procédures suivantes :

A Les intervalles prescrits pour la maintenance, la lubrification et le contrôle du système doivent être respectés; se reporter aux instructions du fabricant.

B Seules les personnes formées et habilitées sont autorisées à utiliser les autolaveuses motorisées. Les utilisateurs de ces appareils doivent avoir les aptitudes visuelles et auditives ainsi que les capacités physiques et mentales requises pour utiliser cet équipement en toute sécurité.

Eviter les risques d'incendie et s'assurer que les locaux sont dotés des équipements nécessaires pour la lutte contre l'incendie. Ne jamais utiliser de bacs ouverts contenant du carburant ou des produits de nettoyage inflammables pour nettoyer les composants de l'autolaveuse motorisée.


## NORMES DE SECURITE INCENDIE

Tout appareil dont le fonctionnement représente un risque doit être mis hors service.

Les réparations ne doivent pas être effectuées dans les zones de classe I, II et III.

**Prévention des incendies :** L'autolaveuse motorisée doit être tenue propre et dans la mesure du possible, protégée des peluches, des déversements d'huile et de la graisse. L'utilisation de produits non inflammables est recommandée pour le nettoyage de l'autolaveuse motorisée. Les liquides inflammables dont le point d'ignition est égal ou supérieur à 37,8 °C (100 °F) ne sont pas autorisés. Prendre les mesures appropriées concernant la toxicité, l'aération, et les risques d'incendie selon le produit ou solvant utilisé.

**Visibilité de la plaque signalétique :** Les données techniques figurant sur la plaque signalétique de l'appareil ne doivent pas être recouvertes de peinture et les informations d'identification doivent rester visibles.

 Lire ce manuel d'utilisation original avant la première utilisation de votre appareil, le respecter et le conserver pour une utilisation ultérieure ou pour le futur propriétaire.

## Table des matières

Consignes de sécurité . . . .	FR	4
Fonction . . . . .	FR	6
Utilisation conforme . . . . .	FR	6
Protection de l'environnement . . . . .	FR	6
Éléments de commande . . .	FR	7
Avant la mise en service . . .	FR	8
Fonctionnement . . . . .	FR	9
Transport. . . . .	FR	12
Mise hors service . . . . .	FR	12
Entreposage . . . . .	FR	13
Entretien et maintenance . .	FR	13
Mise au rebut . . . . .	FR	15
Pannes . . . . .	FR	15
Accessoires. . . . .	FR	17
Caractéristiques techniques	FR	18
Garantie . . . . .	FR	18
Pièces de rechange . . . . .	FR	18

## Consignes de sécurité

Lire la présente notice d'instructions ainsi que la brochure ci-jointe Consignes de sécurité pour les nettoyeurs à brosses n° 5.956-251.0 avant d'utiliser l'appareil et respecter les instructions.

### ⚠ **AVERTISSEMENT**

*Ne pas utiliser l'appareil sur des plans inclinés.*

**L'appareil peut être seulement exploité, lorsque le réservoir et tous les couvercles sont fermés.**

## Niveaux de danger

### ⚠ **DANGER**

*Signale la présence d'un danger imminent entraînant de graves blessures*

corporelles et pouvant avoir une issue mortelle.

### **△ AVERTISSEMENT**

Signale la présence d'une situation éventuellement dangereuse pouvant entraîner de graves blessures corporelles et même avoir une issue mortelle.

### **△ PRÉCAUTION**

Remarque relative à une situation potentiellement dangereuse pouvant entraîner des blessures légères.

### **ATTENTION**

Remarque relative à une situation éventuellement dangereuse pouvant entraîner des dommages matériels.

### **Remarque relative à la batterie (accumulateur) et au chargeur**

Des batteries lithium ion sont montées dans l'appareil. Celles-ci sont soumises à des critères particuliers. Le démontage, le montage et le contrôle des batteries défectueuses doivent être effectués uniquement par le service après-vente Kärcher ou par un spécialiste. Vous pouvez obtenir des remarques relatives au stockage et au transport auprès de votre service après-vente Kärcher.

### **△ DANGER**

- Les transformations et les modifications sur l'appareil ne sont pas autorisées.
- **Ne pas ouvrir l'accumulateur, Risque de court-circuit ! Il est en outre possible que des vapeurs irritantes ou des fluides agressifs s'en échappent.**

**Ne pas soumettre l'accumulateur à un fort rayonnement du soleil, à la chaleur ainsi qu'au feu, il existe un risque d'explosion.**

- Ne pas utiliser l'appareil de charge dans un environnement où il y a un risque de explosion.
- Pendant le cycle de charge, veiller à une ventilation suffisante.
- Ne pas utiliser l'appareil de charge en état sale ou mouillé.
- Ne jamais approcher une flamme, émettre d'étincelles ou fumer à proximité d'une batterie ou d'une station de charge pour batteries. Risque d'explosion.

### **△ AVERTISSEMENT**

- Contrôler l'état de l'appareil et du câble d'alimentation avant chaque utilisation. Ne plus utiliser des appareils endommagés ; faire réparer les pièces endommagées uniquement par un spécialiste. Tenir les enfants éloigner des batteries et du chargeur. Ne pas charger des batteries endommagées. Faire remplacer des batteries endommagées par le service après-vente Kärcher.
- Ne pas jeter une batterie défectueuse dans les ordures ménagères ; informer le service après-vente Kärcher.
- Éviter le contact avec le liquide qui sort des accumulateurs en panne. En cas d'un contact par hasard, rincer le liquide avec l'eau. En cas d'un contact avec les yeux, consulter en plus un médecin.

### **△ PRÉCAUTION**

- Ce manuel d'utilisation doit impérativement être respecté. Il convient également d'observer les recommandations légales relatives aux batteries.
- La tension du secteur doit correspondre à la tension indiquée sur la plaque signalétique de l'appareil.



- Ne utiliser l'appareil de charge que pour le chargement des groupes d'accumulateurs autorisés.
- L'accumulateur ne doit être utilisé qu'avec cet appareil ; il est interdit et dangereux de l'utiliser à d'autres fins.

### Dispositifs de sécurité

Lorsque le commutateur de sécurité est relâché, l'entraînement de la brosse s'arrête.

### Fonction

Cette aspirateur à friction est mis en œuvre pour nettoyer des sols plans par voie humide.

Il peut être aisément adapté à la tâche de nettoyage respective par réglage du débit d'eau.

Une largeur de travail de 450 mm et une capacité de 22 l pour le réservoir d'eau propre et le réservoir d'eau sale assurent un nettoyage efficace avec une grande durée d'utilisation.

La batterie peut être rechargée au moyen d'un chargeur intégré branché à une prise de 110V.

### Utilisation conforme

L'utilisation de l'appareil doit être faite en conformité avec les consignes figurant dans les instructions de service.

- Cet appareil convient à un usage industriel, par exemple dans le cadre d'hôtels, d'écoles, d'hôpitaux, d'usines, de magasins, de bureaux et d'agences de location.
- L'appareil peut être utilisé que pour le polissage des sols plats qui ne sont pas sensibles à l'humidité.
- Cet appareil est destiné à une utilisation dans les locaux intérieurs.
- L'appareil n'est pas approprié pour nettoyer des sols gelés (par

exemple dans des entrepôts frigorifiques)

- L'appareil doit uniquement être équipé d'accessoires et de pièces de rechange d'origine.

### Protection de l'environnement



Les matériaux constitutifs de l'emballage sont recyclables. Ne pas jeter les emballages dans les ordures ménagères, mais les remettre à un système de recyclage.



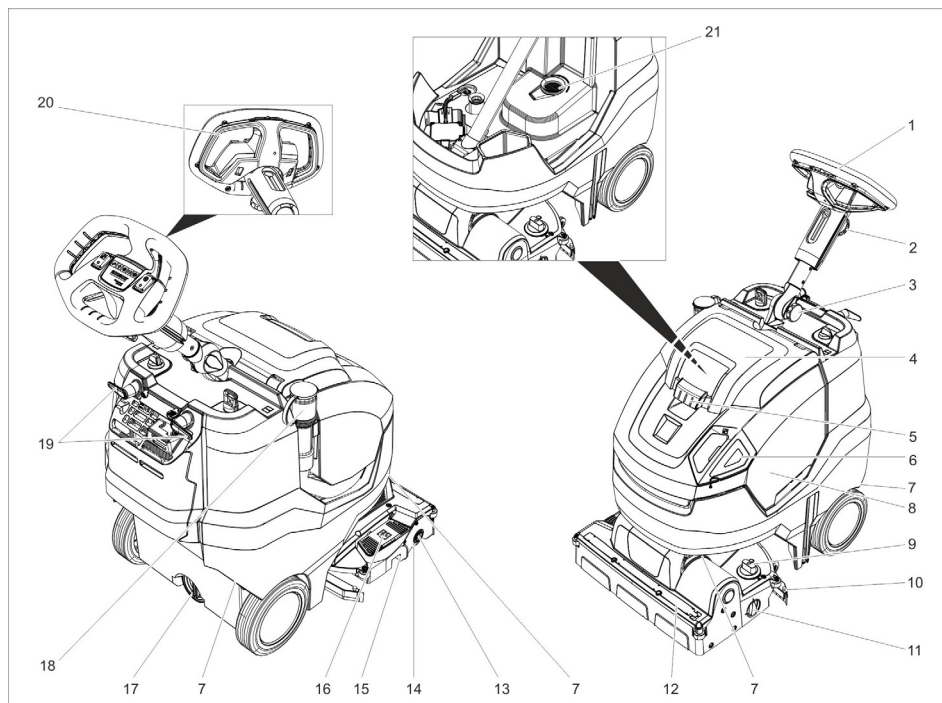
Les appareils usés contiennent des matériaux précieux recyclables lesquels doivent être apportés à un système de recyclage. Pour cette raison, utilisez des systèmes de collecte adéquats afin d'éliminer les appareils usés.

Les appareils électriques et électroniques renferment souvent des composants qui peuvent représenter un danger potentiel pour l'intégrité physique et l'environnement s'ils sont mal utilisés ou éliminés. Ces composants sont pourtant nécessaires au bon fonctionnement de l'appareil. Les appareils qui présentent ce symbole ne doivent pas être jetés avec les déchets ménagers.

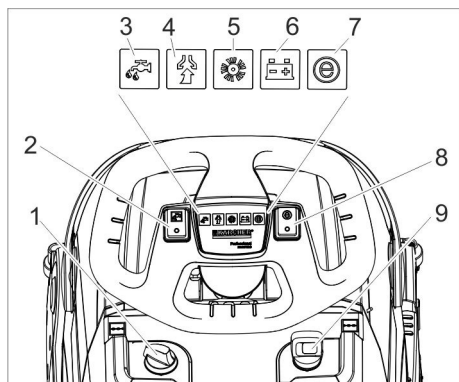
### Instructions relatives aux ingrédients (REACH)

Les informations actuelles relatives aux ingrédients se trouvent sous : [www.kaercher.de/REACH](http://www.kaercher.de/REACH)

## Éléments de commande








- |    |  |    |   |
|----|--|----|---|
| 1  | Volant   | 13 | Bouton de déverrouillage, rouleau de brosse                 |
| 2  | Poignée en étoile de réglage en hauteur du volant            | 14 | Rouleau de brosse   |
| 3  | Poignée en étoile de position de transport du volant         | 15 | Bac à déchets   |
| 4  | Couvercle du réservoir d'eau sale                            | 16 | Pédale levage barre d'aspiration                            |
| 5  | Déverrouillage du couvercle du bac d'eau sale                | 17 | Ouverture de vidange du réservoir d'eau propre              |
| 6  | Bouchon doseur réservoir d'eau propre                        | 18 | Flexible de vidange de l'eau sale avec dispositif de dosage |
| 7  | Poignée de transport pour soulever l'appareil                | 19 | Crochet de câble, rotatif                                   |
| 8  | Réservoir d'eau sale   | 20 | Coupe-circuit   |
| 9  | Poignée rotative pression d'appui des brosses (1=min, 4=max) | 21 | Crible à peluches   |
| 10 | Barre d'aspiration   |    |   |
| 11 | Molette de réglage du châssis de transport                   |    |   |
| 12 | Barre de distribution d'eau                                  |    |   |



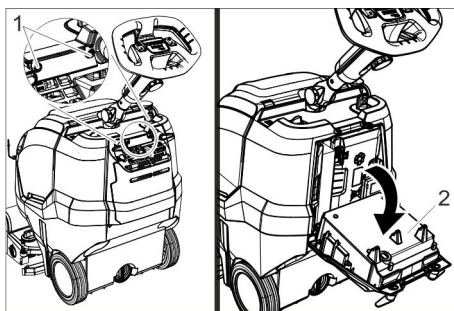
- 1 Dosage solution de nettoyage
- 2 Commutateur solution de nettoyage
- 3 Lampe témoin Appliquer la solution de nettoyage
- 4 Témoin de contrôle de la fonction Aspiration  
Vert : Turbine d'aspiration en service  
Orange, clignotant : Surcharge de la turbine d'aspiration
- 5 Turbine d'aspiration de l'entraînement de la brosse  
Vert : La brosse tourne  
Orange, clignotant : Surcharge de la brosse
- 6 Affichage de l'état de la batterie  
**Pendant le fonctionnement :**  
Vert : Batterie chargée  
Orange : Batterie presque vide  
Rouge : l'appareil se met hors service - charger la batterie  
**Lors du chargement de la batterie :**  
Orange clignotant : La batterie est en charge.  
Vert : Le chargement est terminé.  
Rouge : Défaut lors du cycle de charge.
- 7 témoin de contrôle du mode Eco  
Bleu : Mode Eco  
Éteint : pleine puissance
- 8 interrupteur du mode Eco
- 9 Interrupteur principal

## Symboles sur l'appareil

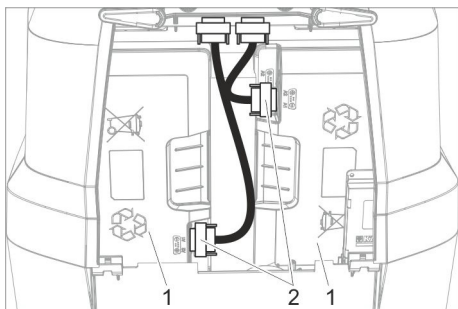
	Orifice de remplissage d'eau propre
	Pédale de la barre d'aspiration
	Molette de réglage du châssis de transport
	Guidage du tendeur lors du transport dans des véhicules
	Pression d'appui de la brosse-rouleau

## Avant la mise en service

### Connecter la batterie



- 1 Vis
  - 2 Chargeur
- ➔ Dévisser 2 vis.
  - ➔ Basculer l'appareil de charge vers le bas.



- 1 Batterie
- 2 Connecteur

→ Brancher et visser les deux fiches.

### Chargement de la batterie

#### Remarque :

L'appareil dispose d'un dispositif de protection anti-décharge complète, c'est-à-dire qu'il développe encore la puissance minimale autorisée pour que l'appareil soit désactivé. La durée de charge est de 4,5 heures environ.

Le chargeur achève le chargement de façon autonome.

En cas de besoin, l'appareil peut être de nouveau utilisé avant le chargement complet de la batterie.

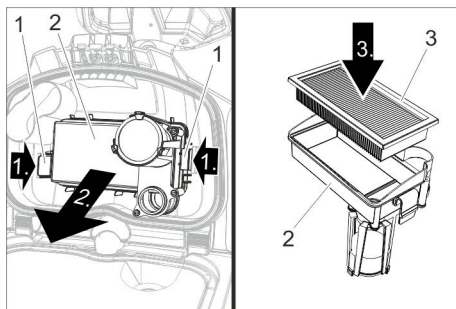
→ Brancher la fiche secteur dans une prise de courant.

### Fonctionnement

- Desserrer la poignée en étoile de la position de transport.
- Aligner la colonne de direction bien droite.
- Serrer les poignées étoiles.

### Insérer le filtre EPA (en option)

→ Ouvrir le couvercle du réservoir d'eau sale.



- 1 Verrouillage
- 2 Boîtier du filtre
- 3 Filtre EPA

→ Pousser les deux verrouillages vers l'intérieur et retirer le corps de filtre.

→ Déposer le filtre EPA dans le corps de filtre.

→ Fixer le corps de filtre sur le couvercle du réservoir d'eau sale et enclencher le verrouillage.

→ Fermer le couvercle du réservoir d'eau sale.

### Remplissage de carburant

#### ⚠ AVERTISSEMENT

*Risque d'endommagement. Utiliser uniquement les détergents recommandés. Pour tout autre détergent, l'utilisateur prend des risques plus élevés quant à la sécurité du travail, au risque d'accident et à la durée de vie de l'appareil. Utiliser uniquement des détergents exempts de solvants, d'acide chlorhydrique et fluorhydrique. Respecter les consignes de sécurité mentionnées sur les détergents.*

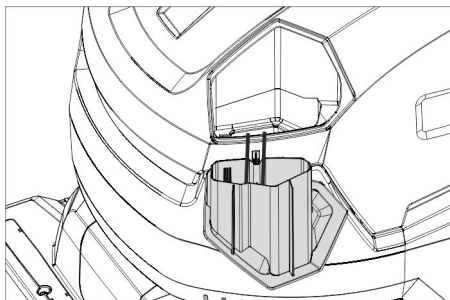
#### Remarque :

Ne jamais utiliser de détergents extrêmement moussants.

Tenir compte des consignes de dosage.

→ Retirer le bouchon doseur du réservoir d'eau propre.

- Remplir d'eau fraîche (maximum 50° C)  
Si nécessaire, utiliser un flexible de remplissage (accessoire).



- Ajouter le détergent en utilisant le bouchon doseur. Un bouchon rempli correspond à une utilisation d'1 %.

Détergents recommandés :

Application	Produit détergent
Nettoyage d'entretien (y compris pour les sols sensibles aux alcalins)	RM 745 RM 746
Nettoyage minutieux (stripage) des revêtements durs résistants aux alcalins	RM 752
Nettoyage de base (stripage) du linoléum	RM 754
Nettoyage de base, acide	RM 751
Détergent désinfectant	RM 732

Les détergents sont disponibles dans le commerce spécialisé.

- Fermer le bouchon doseur du réservoir d'eau propre.

### Réglages

- Desserrer la poignée en étoile de réglage en hauteur du volant.
- Mettre le volant à la hauteur souhaitée.

- Serrer les poignées étoiles.
- Régler le dosage de la solution de nettoyage en fonction de l'encrassement et du type de revêtement de sol.
- Régler la poignée rotative de pression d'appui des brosses sur la valeur souhaitée.  
Régler la pression d'appui au sol de la brosse uniquement avec la tête de nettoyage soulevée.

### Remarque :

Si l'appareil tire trop vers l'avant pendant son fonctionnement, diminuer la pression d'appui.

- Mettre l'interrupteur Mode Eco dans la position souhaitée.

Fonctionnement normal : L'appareil travaille avec une vitesse de rotation de la brosse maximale et la puissance d'aspiration la plus élevée.

Eco : L'appareil travaille avec une vitesse de rotation de la brosse et une puissance d'aspiration réduites. La consommation d'énergie est ainsi réduite. La durée d'utilisation possible avec un chargement de batterie augmente.

### Béquille d'appui

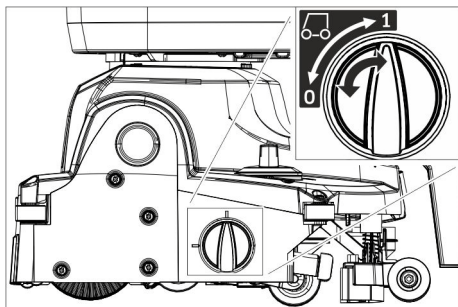
#### Abaisser la béquille d'appui

- Presser le volant vers le bas, afin que l'appareil se lève en avant. La béquille d'appui pivote vers le bas.
- Relâcher le volant. L'appareil reste sur la béquille d'appui. La brosse rotative est déchargée et protégée contre les déformations.

#### Relever la béquille d'appui

- Pousser l'appareil vers l'avant. La béquille d'appui pivote vers le haut.

## Châssis de transport



0 Châssis de transport entré

1 Châssis de transport sorti

### Sortir le châssis de transport

- Abaisser la béquille d'appui.
- Tourner la molette de réglage en position 1 (châssis de transport sorti).

### Rentrer le châssis de transport

- Abaisser la béquille d'appui.
- Tourner la molette de réglage en position 0 (châssis de transport rentré).

## Nettoyage

### ATTENTION

*Risque d'endommagement pour le revêtement de sol. Ne pas exploiter l'appareil sur place.*

*Risque d'endommagement. Soulever la barre d'aspiration avant de tirer l'appareil en marche arrière sur une longue distance.*

- Rentrer le châssis de transport.
- Régler l'interrupteur principal sur "I".
- Activer l'interrupteur de solution détergente
- Appuyer vers le bas à l'arrière sur la pédale de relèvement de la barre d'aspiration pour abaisser la barre d'aspiration et démarrer l'aspiration.

- Tirer le commutateur de sécurité vers le volant ; l'entraînement de la brosse, la commande de solution de nettoyage et l'aspiration sont activés (s'ils sont réglés).
- Pousser l'appareil vers l'avant jusqu'à ce que la béquille d'appui s'enclenche et que la tête de nettoyage touche le sol.
- Déplacer l'appareil par-dessus la surface qui doit être nettoyée.

### Remarque :

Si le volant est tourné de 180°, l'appareil se déplace également en marche arrière.

### Disponibilité opérationnelle

Si, alors que l'interrupteur principal est enclenché, l'appareil n'est pas utilisé pendant 15 minutes, le mode veille est désactivé.

### Réactiver le mode veille :

- Mettre l'interrupteur principal sur « 0 ».
- Attendre quelques secondes.
- Régler l'interrupteur principal sur "I".

### Arrêt et mise hors marche de l'appareil

- Relâcher le commutateur de sécurité.
- Encore avancer l'appareil de 1 à 2 m pour aspirer toute l'eau restante.
- Appuyer vers le bas sur la pédale de relèvement de la barre d'aspiration pour soulever la barre d'aspiration à l'avant.

### ATTENTION

*Les lèvres d'aspiration et la brosse peuvent se déformer de façon permanente. Toujours arrêter l'appareil avec la béquille d'appui dépliée.*

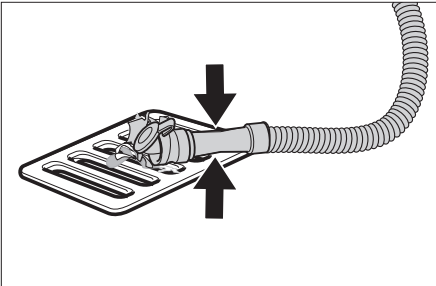
- Mettre l'interrupteur principal sur "0".
- Presser le volant vers le bas, afin que l'appareil se lève en avant. La béquille d'appui pivote vers le bas.

## Vidange du réservoir d'eau sale

### △ PRÉCAUTION

Risque pour la santé dû à de l'eau sale non éliminée en bonne et due forme. Tenir compte des prescriptions locales pour le traitement des eaux usées.

- Rentrer le châssis de transport.
- Relever la béquille d'appui.
- Sortir le flexible de vidange du dispositif de maintien et l'abaisser au-dessus d'un collecteur approprié.



- Compresser ou plier le dispositif de dosage.
- Ouvrir le couvercle du dispositif de dosage.
- Laisser s'écouler l'eau sale - réguler la quantité d'eau par une pression ou un pli.
- Rincer le réservoir d'eau sale à l'eau propre.

## Vidange du réservoir d'eau propre

### △ AVERTISSEMENT

Tenir compte des prescriptions locales pour le traitement des eaux usées.

- Visser le couvercle de l'ouverture de drainage du réservoir d'eau fraîche et laisser s'écouler la solution de nettoyage.

## Protection antigel

En cas de risque de gel :

- Vider le réservoir d'eau propre et le réservoir d'eau sale.
- Déposer l'appareil dans une pièce à l'abri du gel.

## Changer la position de la colonne de direction

Pour réduire l'encombrement pendant le transport et le stockage, la colonne de direction peut être déplacée.

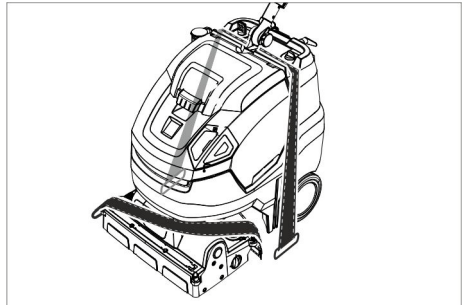
- Desserrer la poignée en étoile de la position de transport.
- Basculer le volant entièrement vers l'avant.
- Serrer les poignées étoiles.

## Transport

### △ PRÉCAUTION

Risque de blessure et d'endommagement ! Respecter le poids de l'appareil lors du transport.

- Retirer la brosse pour éviter qu'elle ne se détériore.
- Soulever l'appareil au niveau des poignées de transport.



- Sécuriser l'appareil contre les glissements ou les basculements selon les directives en vigueur lors du transport dans des véhicules.

## Mise hors service

- Charger complètement la batterie avant un arrêt de plusieurs semaines.
- Mettre l'interrupteur principal sur "0".

### ATTENTION

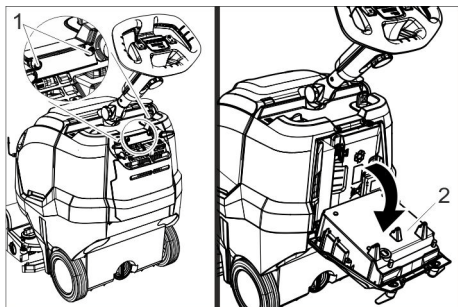
Risque d'endommagement de la batterie dû à une décharge complète. Mettre l'interrupteur principal sur « 0 » pendant les pauses de fonctionnement.

## En plus, pour les appareils avec canal

### ATTENTION

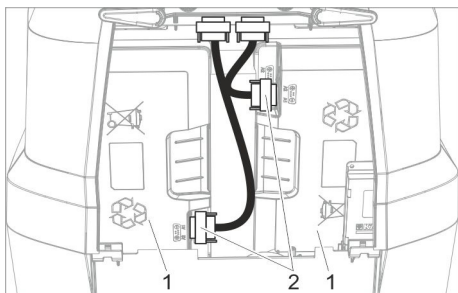
Risque d'endommagement de la batterie dû à une décharge complète.

→ En cas de pauses de plus de 4 mois, débrancher la batterie.



- 1 Vis
- 2 Chargeur

→ Dévisser 2 vis.  
→ Basculer l'appareil de charge vers le bas.



- 1 Batterie
- 2 Connecteur

→ Desserrer et débrancher les deux prises.

## Entreposage

### ⚠ PRÉCAUTION

Risque de blessure et d'endommagement ! Prendre en compte le poids de l'appareil à l'entreposage. Cet appareil doit uniquement être entreposé en intérieur.

## Entretien et maintenance

### ⚠ DANGER

Risque de blessure. Avant d'effectuer des travaux sur l'appareil, positionner l'interrupteur principal sur « 0 » et retirer la fiche secteur du chargeur.

### ATTENTION

Risque d'endommagement de l'appareil par l'eau qui s'écoule. Vider l'eau sale et l'eau propre résiduelle avant de commencer les travaux sur l'appareil.

→ Garer l'appareil sur une surface plane.

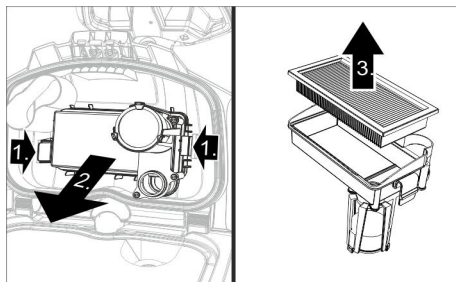
## Plan de maintenance

### Après le travail

### ATTENTION

Risque d'endommagement. Ne pas laver l'appareil au jet d'eau et ne jamais utiliser de détergents agressifs.

→ Vider l'eau sale.  
→ Ouvrir le couvercle du réservoir d'eau sale.



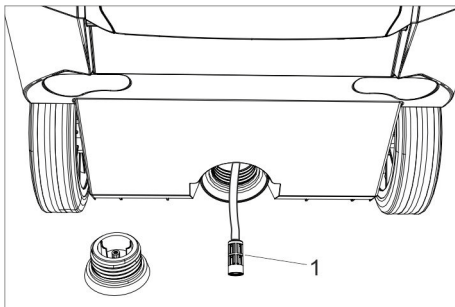
→ Retirer le filtre EPA (option) et le déposer en dehors de l'appareil pour le séchage.  
→ Nettoyer l'intérieur du couvercle et le flotteur à l'eau.  
→ Rincer le réservoir d'eau sale à l'eau propre.  
→ Nettoyer la barre d'aspiration.  
→ Retirer et vider le réservoir de saleté grossière.  
→ Nettoyer l'extérieur de l'appareil avec un chiffon humide et imbibé de détergent doux.



- Nettoyer les lèvres d'aspiration, contrôler leur degré d'usure et le cas échéant les remplacer.
- Nettoyer la brosse.
- Contrôler l'usure de la brosse et la remplacer si nécessaire (cf. "travaux d'entretien").
- Charger la batterie, en cas de besoin.

### Hebdomadairement

- Sortir la barre de distribution d'eau au niveau de la tête de nettoyage et nettoyer la canalisation d'eau.
- Nettoyer le tamis à peluches.



1 Filtre d'eau propre

- Visser le couvercle de l'ouverture de drainage du réservoir d'eau fraîche.
- Retirer le filtre de l'eau fraîche et le nettoyer à l'eau claire.

### Mensuellement

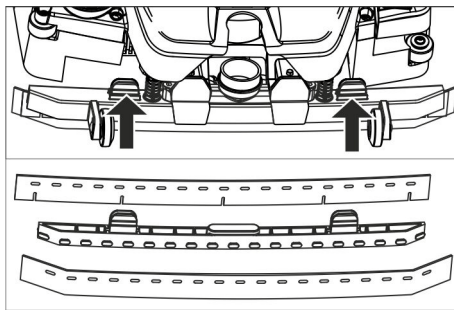
- Contrôler les joints entre le réservoir d'eau sale et le couvercle ; le cas échéant, les remplacer.

### Tous les ans

- L'inspection prescrite doit être effectuée par le service après-vente.

## Travaux de maintenance

### Remplacer les lèvres d'aspiration



- Comprimer les éléments de fixation et tirer les lèvres d'aspiration vers le bas pour les sortir de la barre d'aspiration.
- Sortir les lèvres d'aspiration du support.

#### Remarque :

Les lèvres d'aspiration sont protégées contre les inversions par le motif à trous. Elles ne peuvent pas être tournées ni remises en place.

- Remplacer les lèvres d'aspiration.
- Mettre le support avec les lèvres d'aspiration dans la barre d'aspiration et l'enclencher.

### Remplacement du rouleau de brosse

#### ⚠ AVERTISSEMENT

Risque d'écrasement dû au rabattement de la béquille d'appui lors du changement de brosse. Enfoncer le volant à 45° vers la droite avant de changer la brosse.

- Appuyer sur la tête de déverrouillage du rouleau de brosse et pivoter ce dernier vers le bas et le retirer de l'entraîneur.
- Enfiler le nouveau rouleau de brosse sur l'entraîneur et l'enclencher du côté opposé.

## Contrat de maintenance

Afin de pouvoir garantir un fonctionnement fiable de l'appareil, il est possible de conclure des contrats de maintenance avec le bureau de ventes Kärcher responsable.

## Mise au rebut

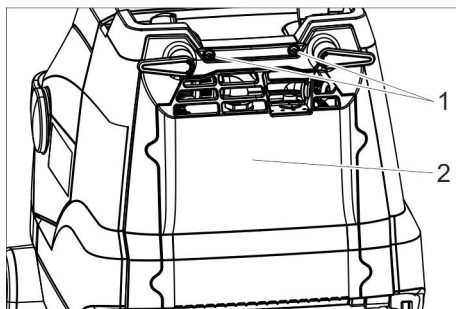
### Démonter les batteries

#### **⚠ DANGER**

*Le démontage de la batterie doit être effectué uniquement par le service après-vente Kärcher ou par un spécialiste.*

*L'évaluation de l'état de la batterie se fait par un monteur agréé du service après-vente*

*Respecter impérativement le chapitre « Consignes de sécurité » à propos des accumulateurs.*



- 1 Vis
- 2 Capot

- Dévisser 2 vis.
- Basculer le couvercle vers le bas.
- Desserrer et enlever les connecteurs de batterie.
- Retirer la batterie à gauche.
- Retirer la batterie à droite.
- Éliminer les batteries dans le respect des dispositions en vigueur.

## Pannes

#### **⚠ DANGER**

*Risque de blessure. Avant d'effectuer des travaux sur l'appareil, positionner l'interrupteur principal sur « 0 » et retirer la fiche secteur du chargeur.*

#### **ATTENTION**

*Risque d'endommagement de l'appareil par l'eau qui s'écoule. Vider l'eau sale et l'eau propre résiduelle avant de commencer les travaux sur l'appareil.*

En cas de pannes ne pouvant pas être résolues grâce aux instructions de ce tableau, appeler le service après-vente.

### Pannes avec affichage

Affichage	Panne	Remède
La lampe témoin de l'entraînement de la brosse clignote en orange	Commande surchauffée	Éteindre l'interrupteur de l'appareil, attendre quelques minutes puis le rallumer.
	Brosse bloquée.	Vérifier si des corps étrangers bloquent le rouleau de brosse et le cas échéant, éliminer les corps étrangers.
La lampe témoin de l'aspirateur clignote en orange	Commande surchauffée	Éteindre l'interrupteur de l'appareil, attendre quelques minutes puis le rallumer.

Affichage	Panne	Remède
L'affichage de l'état de la batterie clignote en rouge	Défaut lors du cycle de charge.	Débrancher la fiche secteur du chargeur. Attendre 10 secondes. Rebrancher la fiche secteur. Si l'erreur est de nouveau affichée : Contacter le service après-vente.
La lampe témoin du mode Eco clignote en bleu	La batterie est presque vide, l'appareil fonctionne à puissance réduite.	Recharger la batterie.

### Pannes sans affichages

Panne	Remède
Il est impossible de mettre l'appareil en marche	Activer l'interrupteur de l'appareil, attendre 3 secondes, vérifier l'état de charge de la batterie.
Quantité d'eau insuffisante	Contrôler le niveau d'eau propre et en cas de besoin, remplir le réservoir
	Activer l'interrupteur de solution détergente
	Nettoyer le filtre d'eau propre.
	Sortir la barre de distribution d'eau au niveau de la tête de nettoyage et nettoyer la canalisation d'eau.
Puissance d'aspiration insuffisante	Abaisser la barre d'aspiration.
	Vider le réservoir d'eau sale.
	Nettoyer les joints entre le réservoir d'eau sale et le couvercle et vérifier s'ils sont étanches, en cas de besoin remplacer.
	Nettoyer les lèvres d'aspiration sur la barre d'aspiration et en cas de besoin tourner ou remplacer.
	Vérifier si le flexible d'aspiration et la barre d'aspiration sont colmatés et le cas échéant, éliminer le colmatage
	Contrôler si les flexibles d'aspiration sont étanches et en cas de besoin remplacer.
Résultat de nettoyage insuffisant	Filtre EPA (en option) sale, l'échanger.
	Rentrer le châssis de transport.
	Contrôler/régler la pression d'appui des brosses.
	Vérifier si le type de brosse et le détergent conviennent.
La brosse ne tourne pas	Contrôler le degré d'usure des brosses et le cas échéant, les remplacer.
	Tirer le commutateur de sécurité vers le volant. Vérifier si des corps étrangers bloquent le rouleau de brosse et le cas échéant, éliminer les corps étrangers. Couper l'interrupteur du mode entraînement de la brosse, attendre un moment puis réactiver l'interrupteur.

## Accessoires

L'appareil peut être équipé de différents accessoires en fonction de l'application respective. De plus amples détails figurent dans notre catalogue ou sur notre site Internet [www.kaercher.com](http://www.kaercher.com).

Désignation	Référence	Description
Brosse d'aération, blanche (douce)	4.762-405.0	Pour le polissage des sols.
Brosse d'aération, rouge (moyenne, standard)	4.762-392.0	Pour le nettoyage des sols pas trop sales ou sensibles.
Brosse d'aération, verte (dure)	4.762-407.0	Pour le nettoyage des sols très sales.
Brosse d'aération, orange (haut/bas)	4.762-406.0	Pour frotter des sols structurés (carrelage de protection etc.).
Rouleau microfibres	4.037-093.0	Spécialement conçu pour carrelages en grès cérame fin, brosse de nettoyage en microfibres avec puissance de nettoyage particulièrement élevée.
Rouleau de pad	4.762-413.0	Pour la réception de pads de rouleau.
Pad de rouleau, rouge (moyen)	6.367-107.0	Pour le nettoyage de sols pas trop sales.
Pad de rouleau, vert (dur)	6.367-106.0	Pour le nettoyage des sols normal ou très sales.
pad de rouleau, jaune (doux)	6.367-105.0	Pour le polissage des sols.
Flexible de remplissage	6.680-124.0	Pour un remplissage du réservoir d'eau propre
Kit de lèvres d'aspiration	4.037-094.0	En guise de remplacement
Filtre EPA	6.414-631.0	

## Caractéristiques techniques

### Performances

Tension nominale	V	25.2
Capacité de la batterie	Ah (5h)	42
Type de pile	--	Li-ion
Puissance absorbée moyenne Power/Eco	W	650/350
Type de protection	--	IPX3
Classe de protection	--	1
Puissance du moteur d'aspiration	W	280
Puissance de moteur de brosses	W	185
plage de températures d'utilisation	°C (°F)	2...40 (36...104)
Température d'eau max.	°C (°F)	50 (122)

### Aspiration

Puissance d'aspiration, débit d'air Power/Eco	l/s (cfm)	20/15 (42/30)
Puissance d'aspiration, dépression Power/Eco	kPa (psi)	8/5 (1.2/0.7)

### Brosses de nettoyage

Largeur de travail	mm (pouce)	450 (17.7)
Diamètre des brosses	mm (pouce)	96 (3.8)
Régime de la brosse Power/Eco	t/min	1050/750

### Chargeur

Tension	V/Hz	100...120/50-60
Consommation de courant maxi	A	4

### Dimensions et poids

Surface théoriquement nettoyable	m <sup>2</sup> /h (ft <sup>2</sup> /h)	1800 (19400)
Volume du réservoir d'eau propre/réservoir d'eau sale	l (gal)	22 (5.8)

Poids total admissible	kg (lbs)	70 (154)
Poids de transport	kg (lbs)	48 (106)
Longueur x largeur x hauteur	mm (pouce)	970 x 530 x 1115 (38.2 x 20.9 x 43.9)
Longueur x largeur x hauteur Transport	mm (pouce)	780 x 530 x 815 (30.7 x 20.9 x 32.1)

### Valeurs déterminées selon EN 60335-2-72

Valeur totale de vibrations	m/s <sup>2</sup>	<2.5
Incertitude K	m/s <sup>2</sup>	0.2
Niveau de pression acoustique L <sub>pA</sub>	dB(A)	66.5
Incertitude K <sub>pA</sub>	dB(A)	2
Niveau de pression acoustique L <sub>WA</sub> + incertitude K <sub>WA</sub>	dB(A)	87

## Garantie

Dans chaque pays, les conditions de garantie en vigueur sont celles publiées par notre société de distribution responsable. Les éventuelles pannes sur les accessoires sont réparées gratuitement dans le délai de validité de la garantie, dans la mesure où celles-ci relèvent d'un défaut matériel ou d'un vice de fabrication. En cas de recours en garantie, adressez-vous à votre revendeur ou au service après-vente agréé le plus proche munis de votre preuve d'achat.

## Pièces de rechange

N'utiliser que des accessoires et pièces de rechange d'origine, ils garantissent le bon fonctionnement de l'appareil. Vous trouverez des informations relatives aux accessoires et pièces de rechange sur [www.kaercher.com](http://www.kaercher.com).

## INSTRUCCIONES IMPORTANTES DE SEGURIDAD

### READ ALL INSTRUCTIONS BEFORE USING THIS APPLIANCE

#### △ **ADVERTENCIA**

Para evitar el peligro de incendio, descarga eléctrica o heridas:

- NO ABANDONAR la unidad mientras esté enchufada. Desenchufar cuando no esté en uso y antes de revisar.

#### △ **ADVERTENCIA**

- PARA REDUCIR EL RIESGO DE DESCARGA ELÉCTRICA, USAR SOLO EN INTERIORES
- No permita que se use como juguete. Prestar mucha atención cuando sea usado por y cerca de niños.
- Usar exclusivamente como se describe en este manual. Usar solamente con los complementos recomendados por el fabricante.
- No usar con el cable o la clavija dañados. Si el aparato no funciona como debería, se ha caído al suelo, dañado, dejado al aire libre, o caído al agua, devuélvalo a servicio de atención al cliente.
- No tirar del cable ni transportar el aparato cogido por el cable, no cerrar una puerta sobre el cable, ni pasar el cable por bordes o esquinas afiladas. No pasar el aparato por el cable. Mantener el cable alejado de superficies calientes.
- No tirar del cable para desenchufar el aparato. Para desenchufar, tire de la clavija no del cable.
- No manipular la clavija ni el aparato con las manos mojadas.
- No introducir objetos en los orificios. No usar con cualquiera de los

orificios bloqueados; mantener sin polvo, pelusa, pelo y cualquier otra cosa que pueda reducir el flujo de aire.

- Mantener el cabello, la ropa floja, los dedos y todas las partes del cuerpo alejadas de los orificios y partes móviles.
- Apagar los mandos de control antes de desenchufar.
- Usar con especial cuidado cuando limpie escaleras.
- No usar para recoger líquidos inflamables o combustible, como gasolina, ni utilizar el aparato en áreas donde puedan estar presentes.
- Conectar exclusivamente a una toma con puesta a tierra. Consultar las instrucciones de puesta a tierra.
- Desenchufar siempre el cable del enchufe antes de realizar el mantenimiento del aparato.
- ¡No barra nunca líquidos explosivos, gases inflamables ni ácidos o disolventes sin diluir! Entre éstos se encuentran la gasolina, los diluyentes o el fuel, que pueden mezclarse con el aire dando lugar a combinaciones o vapores explosivos. No utilice tampoco acetona, ácidos ni disolventes sin diluir, ya que ellos atacan los materiales utilizados en el aparato.
- No aspire objetos incandescentes, con o sin llama.

#### **Instrucciones de puesta a tierra**

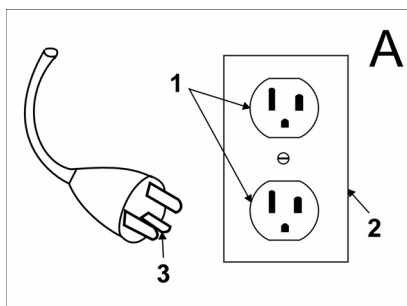
Este producto se tiene que poner a tierra. Si funcionase mal o si se rompiese, la puesta a tierra proporcionaría un circuito menos resistente a la energía eléctrica para reducir el riesgo de electrochoque. Este producto está equipado con un cable que tiene un conductor a tierra y un enchufe a tierra para el equipo. El enchufe se tiene que enchufar a un tomacorriente adecua-

do, que esté correctamente instalado y puesto a tierra conforme a todas las normas y reglamentos locales.

### **⚠ PELIGRO**

*Si la conexión del conductor a tierra del equipo es incorrecta puede existir riesgo de electrochoque. En caso de duda, compruebe con ayuda de un electricista cualificado o del personal del servicio técnico que el tomacorriente está correctamente puesto a tierra. No modifique el enchufe proporcionado con el producto; si no encaja en el tomacorriente, pida a un electricista cualificado que le instale un tomacorriente adecuado. No utilice ningún tipo de adaptador con este producto. Este dispositivo está diseñado para usar en un circuito nominal de 120 V y tiene un enchufe de toma a tierra que tiene el aspecto de la figura A. Asegúrese de que el dispositivo esté conectado a una toma de corriente que tenga la misma configuración que la clavija. No se debe usar un adaptador con este equipo.*

### **CONECTAR EXCLUSIVAMENTE A UNA TOMA DE CORRIENTE CON PUESTA A TIERRA**



- 1 Toma de corriente con puesta a tierra
- 2 Caja de toma de corriente con puesta a tierra
- 3 Clavija con puesta a tierra

## **NORMAS Y PRÁCTICAS DE SEGURIDAD PARA EL FUNCIONAMIENTO**

### **Responsabilidades del propietario/usuario**

El propietario y/o el usuario deben comprender bien las instrucciones de servicio y advertencias del fabricante antes de empezar a utilizar este limpiador de alta presión.

Debe prestarse especial atención y tener muy claras las advertencias.

Si el operador no habla bien el español, el propietario/comprador debe responsabilizarse de leer y comentar las instrucciones y las advertencias en su lengua natal, y asegurarse de que entienda a la perfección su contenido.

El propietario y/o el usuario deben leer y guardar como referencia para el futuro las instrucciones del fabricante.

### **Generalidades**

Antes de poner en funcionamiento la unidad, ésta deberá encontrarse en la posición de servicio.

No arrancar ni poner en funcionamiento la unidad, cualquiera de sus funciones o complementos, en otro sitio que no sea la posición designada de operario.

Antes de dejar la posición del operario:

- A parar completamente el equipo;
- B si el equipo tiene que estar en una inclinación, bloquear las ruedas.

Mantenerse a una distancia segura del borde de rampas, plataformas y otras superficies de trabajo.

No realice modificaciones ni añadidos al equipo.

No bloquear el acceso a las salidas de emergencias de incendios, escaleras o equipo antiincendios.

## Conducción

Ceder el paso a peatones y vehículos de emergencias como ambulancias o camiones de bomberos.

Cruce vías de tren en ángulo siempre que sea posible. No aparcar a menos de 1800 mm de la vía del tren.

Mantener una buena vista del camino por el que conduce y preste atención al tráfico, personal y seguridad.

Operar el equipo siempre a una velocidad que permita parar de manera segura.

No permita realizar escenas peligrosas ni jugar con el equipo.

Reducir la velocidad en suelos húmedos y resbaladizos.

Antes de conducir sobre un muelle o puente, asegúrese de que esté bien seguro. Conducta con cuidado y lentamente por el muelle o puente, y no exceda nunca la capacidad indicada.

Al sortear curvas, reduzca la velocidad a un nivel seguro de acuerdo con el ambiente de funcionamiento. Sortear las curvas con cuidado.

## Cuidados del equipo realizados por el operario

Si el equipo necesita ser reparado o es inseguro, o favorece una situación insegura, se deberá informar del problema inmediatamente al encargado designado por el usuario, y no se pondrá en funcionamiento el equipo hasta que se recupere el estado de funcionamiento seguro.

Si el equipo se vuelve inseguro de cualquier modo durante su funcionamiento, se deberá informar del problema inmediatamente al encargado designado por el usuario, y no se pondrá en funcionamiento el equipo hasta que

se recupere el estado de funcionamiento seguro.

No realizar reparaciones o ajustes a no ser que se autorizado específicamente.

## MANTENIMIENTO Y PRÁCTICAS DE RECONSTRUCCIÓN

El funcionamiento del equipo puede resultar peligros si no realiza el mantenimiento o se llevan a cabo reparaciones, reconstrucciones o ajustes que no correspondan con los criterios de diseño del fabricante. Por lo tanto, se deben poner a disposición lugares de mantenimiento (en el mismo local o en otro lugar), personal cualificado, y procedimientos detallados.

El mantenimiento e inspección de la unidad se realizará de acuerdo con las siguientes prácticas:

- A a un mantenimiento planificado, le seguirán lubricación e inspección del sistema: consulte las recomendaciones del fabricante.
- B Sólo se permitirá operar un aparato para limpieza de suelos motorizado a personas formadas y autorizadas. Los operarios de aparatos de limpieza de suelos motorizados deberán estar cualificados y tener la capacidad visual, auditiva, física y mental para operar equipos de forma segura.

Evitar los riesgos de incendios y tener equipo de protección de incendios en el área de trabajo. No usar recipientes abiertos de fuel o líquidos inflamables de limpieza para las limpiar las piezas.




## NORMA DE SEGURIDAD CONTRA INCENDIOS

Cualquier unidad que no esté en un estado de funcionamiento seguro será retirada de servicio.

No se realizarán reparaciones en ubicaciones de clase I, clase II y clase III.

**Prevención de incendios.** Se mantendrá el equipo limpio y sin pelusas, exceso de aceite y grasa en la medida de lo posible. Es preferible utilizar productos no combustibles para limpiar el equipo. No está permitido utilizar líquidos inflamables [aquellos que tengan puntos de inflamación de o superior a 37,8°C (100°F)]. Se deberá tomar precauciones ante la toxicidad, ventilación e incendios con el producto o disolvente usado.

**Visibilidad de la placa identificadora.** Las denominaciones de tipo de equipo se indican en la placa identificadora y no se deben cubrir las marcas de tipo con pintura para que no se vea la información de identificación.

 Antes del primer uso de su aparato, lea este manual original, actúe de acuerdo a sus indicaciones y guárdelo para un uso posterior o para otro propietario posterior.

### Índice de contenidos

Indicaciones de seguridad . ES	4
Función . . . . . ES	6
Uso previsto . . . . . ES	6
Protección del medio ambiente . . . . . ES	6
Elementos de mando . . . . . ES	7
Antes de la puesta en marcha . . . . . ES	8
Funcionamiento . . . . . ES	9
Transporte. . . . . ES	12
Puesta fuera de servicio . . . ES	12
Almacenamiento . . . . . ES	13
Cuidados y mantenimiento . ES	13
Eliminación de desechos . . ES	15
Averías . . . . . ES	15
Accesorios . . . . . ES	17
Datos técnicos . . . . . ES	18
Garantía . . . . . ES	18
Piezas de repuesto . . . . . ES	18

### Indicaciones de seguridad

Antes de utilizar por primera vez el equipo, lea y tenga en cuenta el presente manual de instrucciones y el folleto adjunto relativo a las instrucciones de seguridad para equipos de limpieza con cepillos 5.956-251.0.

#### **△ ADVERTENCIA**

*No utilizar el aparato en cuevas inclinadas.*

**El aparato sólo se puede poner en funcionamiento cuando el depósito y todas las tapas estén cerradas.**

## Niveles de peligro

### **⚠ PELIGRO**

*Aviso sobre un riesgo de peligro inmediato que puede provocar lesiones corporales graves o la muerte.*

### **⚠ ADVERTENCIA**

*Aviso sobre una situación probablemente peligrosa que puede provocar lesiones corporales graves o la muerte.*

### **⚠ PRECAUCIÓN**

*Indicación sobre una situación que puede ser peligrosa, que puede acarrear lesiones leves.*

### **CUIDADO**

*Aviso sobre una situación probablemente peligrosa que puede provocar daños materiales.*

## Indicaciones sobre la batería (acumulador) y el cargador

En el aparato hay integradas baterías de iones de litio. Estas cumplen criterios especiales. El desmontaje y montaje, así como la comprobación de baterías defectuosas, solo lo puede realizar el servicio técnico de Kärcher u otro técnico.

Consultar al servicio técnico de Kärcher acerca del almacenamiento y transporte.

### **⚠ PELIGRO**

- No está permitido modificar ni alterar el aparato.
- **No abrir la batería**, hay peligro de que se produzca un cortocircuito, adicionalmente puede producirse la salida de vapores irritantes o líquidos corrosivos.  
**No exponer la batería a intensa radiación solar, calor o fuego**, hay peligro de explosión.
- No utilizar el cargador en un ambiente con peligro de explosión.

- Procurar que haya suficiente ventilación durante el proceso de carga.
- No utilizar el cargador si está sucio o húmedo.
- No manipular con llama directa, ni generar chispas o fumar cerca de una batería o en el lugar donde se cargue la batería. Peligro de explosiones.

### **⚠ ADVERTENCIA**

- Compruebe si el aparato y el cable de alimentación están dañados antes de usarlos. No vuelva a usar los aparatos dañados y encargue solo al personal técnico que repare las piezas dañadas.  
Mantener a los niños alejados de las baterías y el cargador.  
No cargar baterías dañadas. Solicitar al servicio técnico de Kärcher que cambie las baterías dañadas.
- No tirar las baterías defectuosas en la basura doméstica, informar al servicio técnico de Kärcher.
- Evitar entrar en contacto con el líquido que sale de baterías defectuosas. Si entra en contacto con el líquido, enjuagar con agua. Si entra en contacto con los ojos consultar también a un médico.

### **⚠ PRECAUCIÓN**

- Es imprescindible respetar el manual de instrucciones. Respetar las recomendaciones vigentes para la manipulación de baterías.
- La tensión de red tiene que coincidir con la indicada en la placa de características del aparato.
- Utilice el cargador sólo para cargar la batería permitida.
- Solo se puede utilizar esta baterías con este aparato, está prohibido usarla con otros fines y resultaría peligroso.

## Dispositivos de seguridad

Si se suelta el interruptor de seguridad, se apaga el accionamiento de los cepillos.

## Función

La fregadora/aspiradora sirve para efectuar la limpieza en húmedo de pisos llanos.

Puede adaptarse fácilmente a la tarea de limpieza que corresponda ajustando el caudal de agua.

Una anchura de trabajo de 450 mm y unos depósitos de agua limpia y de agua sucia con una capacidad de 22 l le permiten llevar a cabo una limpieza efectiva en aplicaciones prolongadas. La batería se puede cargar con el cargador incorporado en un enchufe de 110 V.

## Uso previsto

Utilice el aparato únicamente de conformidad con las indicaciones del presente manual de instrucciones.

- Este aparato es apto para el uso en aplicaciones industriales, como en hoteles, escuelas, hospitales, fábricas, tiendas, oficinas y negocios de alquiler.
- El aparato sólo se puede utilizar para limpiar suelos lisos resistentes a la humedad.
- Este aparato está destinado a ser usado en interiores.
- El aparato no es apto para la limpieza de pisos congelados (p. ej., en almacenes frigoríficos).
- Sólo está permitido dotar al aparato de accesorios y piezas de repuesto originales.

## Protección del medio ambiente



Los materiales de embalaje son reciclables. Por favor, no tire el embalaje a la basura doméstica; en vez de ello, entréguelo en los puntos oficiales de recogida para su reciclaje o recuperación.



Los aparatos viejos contienen materiales valiosos reciclables que deberían ser entregados para su aprovechamiento posterior. Por este motivo, entregue los aparatos usados en los puntos de recogida previstos para su reciclaje.

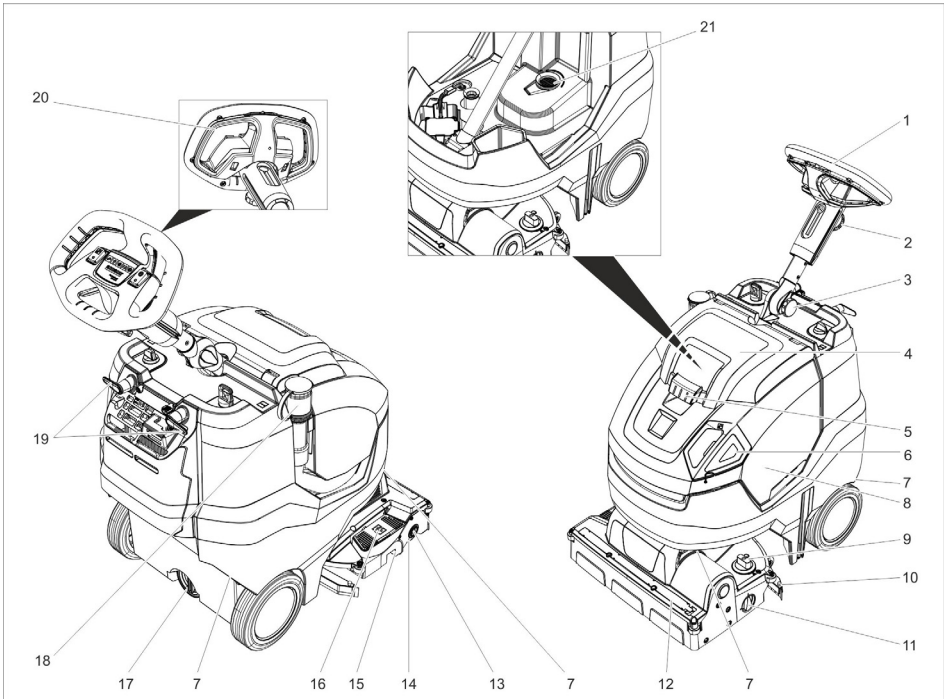
Los equipos eléctricos y electrónicos contienen a menudo componentes que pueden representar un peligro potencial para la salud de las personas y para el medio ambiente en caso de que se manipulen o se eliminen de forma errónea. Estos componentes son necesarios para el correcto funcionamiento del equipo. Los equipos marcados con este símbolo no pueden eliminarse con la basura doméstica.

### **Aviso sobre sustancias (REACH)**

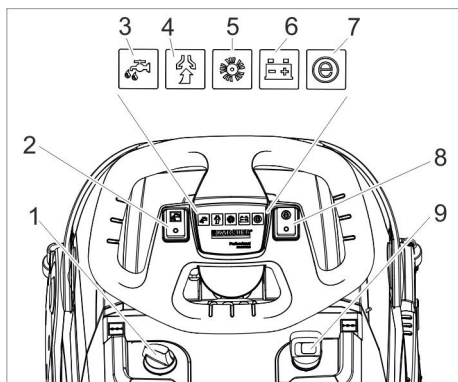
Aquí encontrará información actual sobre las sustancias:

**[www.kaercher.de/REACH](http://www.kaercher.de/REACH)**

## Elementos de mando



- |    |   |    |  |
|----|---|----|--|
| 1  | Volante   | 13 | Botón de desbloqueo, cepillo rotativo                            |
| 2  | Mango en estrella, ajuste de la altura del volante de dirección   | 14 | cepillo rotativo   |
| 3  | Mango en estrella, ajuste de transporte del volante de dirección  | 15 | Depósito de partículas gruesas de suciedad                       |
| 4  | Tapa del depósito de agua sucia                                   | 16 | Pedal para subir la barra de aspiración                          |
| 5  | Desbloqueo de la tapa del depósito de agua sucia                  | 17 | Orificio de purgado del depósito de agua limpia                  |
| 6  | Tapa dosificadora depósito de agua fresca                         | 18 | Manguera de salida de agua sucia con dispositivo de dosificación |
| 7  | Asa de transporte para levantar el equipo                         | 19 | Gancho de cable, giratorio                                       |
| 8  | depósito de agua sucia  | 20 | Interruptor de seguridad   |
| 9  | Empuñadura giratoria presión de apriete de cepillo (1=min, 4=max) | 21 | Filtro de pelusas  |
| 10 | Barra de aspiración   |    |  |
| 11 | Botón giratorio del dispositivo de transporte                     |    |  |
| 12 | Tira de distribución de agua                                      |    |  |



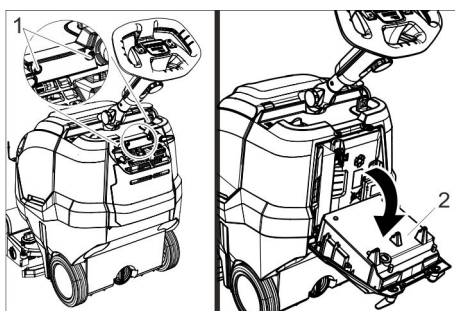
- 1 Dosis solución detergente
- 2 Interruptor solución de limpieza
- 3 Piloto de control aplicar solución de detergente
- 4 Piloto de control Aspiración  
En verde: Turbina de aspiración en funcionamiento  
Naranja, parpadeando: Turbina de aspiración sobrecargada
- 5 Piloto de control accionamiento de cepillos  
En verde: el cepillo gira  
Naranja, parpadeando: cepillo sobrecargado
- 6 Indicador de estado de la batería  
**En funcionamiento:**  
Verde: Batería cargada  
Naranja: batería casi vacía  
Rojo: El aparato se desconecta - batería cargada  
**Al cargar la batería:**  
Naranja (parpadeando): Se está cargando la batería.  
Verde: Ha finalizado la carga.  
Rojo: Avería durante el proceso de carga.
- 7 Piloto de control Eco Mode  
Azul: Modo Eco  
Off: máxima potencia
- 8 Interruptor Eco Mode
- 9 Interruptor del aparato

## Símbolos en el aparato

	Orificio de relleno de agua limpia
	Pedal de la barra de aspiración
	Botón giratorio del dispositivo de transporte
	Guía para el cinturón de sujeción durante el transporte en vehículos
	Presión de empuje del cilindro de cepillos

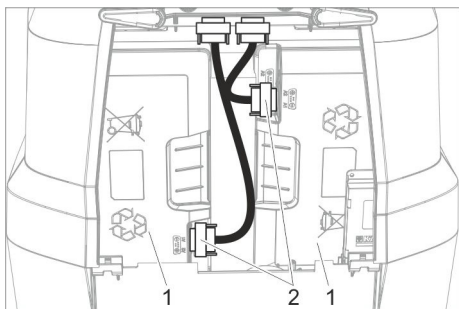
## Antes de la puesta en marcha

### Conectar la batería



- 1 Tornillo
- 2 Cargador

- Desatornillar los 2 tornillos.
- Girar el cargador hacia abajo.



- 1 Batería
- 2 Clavija de enchufe

➔ Enchufar y atornillar ambos conectores.

### Carga de batería

#### Indicación:

El aparato dispone de una protección de descarga total, es decir, cuando se alcance la capacidad máxima permitida, el aparato se desconectará.

El tiempo de carga es de 4,5 horas aproximadamente.

El cargador finaliza el proceso de carga por sí solo.

Si es necesario, el aparato también se puede volver a utilizar antes de que la batería se haya cargado totalmente.

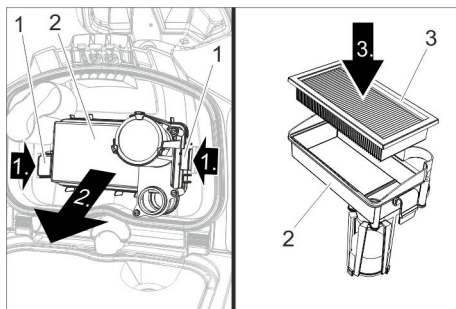
➔ Enchufar la clavija de red a una toma de corriente.

### Funcionamiento

- ➔ Desbloquear el mango en estrella de la posición de transporte.
- ➔ Colocar recta la columna de dirección.
- ➔ Ajustar el mango en estrella.

### Colocar el filtro EPA (opcional)

➔ Abra la tapa del depósito de agua sucia.



- 1 Dispositivo de bloqueo
- 2 Carcasa del filtro
- 3 Filtro EPA

➔ Presionar hacia dentro ambos cierres y extraer la carcasa del filtro.

➔ Colocar el filtro EPA en la carcasa del filtro.

➔ Colocar la carcasa del filtro en la tapa del depósito de agua sucia y encajar el cierre.

➔ Cierre la tapa del depósito de agua sucia.

### Adición de combustibles

#### ⚠ ADVERTENCIA

*Peligro de daños en la instalación. Utilice únicamente el detergente recomendado. Para otros detergentes, el operador asume un mayor riesgo en la seguridad del funcionamiento y el peligro de accidentes. Peligro de accidentes y duración reducida del aparato.*

*Utilizar solo detergentes que no contengan disolventes, ácidos clorhídricos ni ácidos hidrofluóricos.*

*Tener en cuenta las indicaciones de seguridad de los detergentes.*

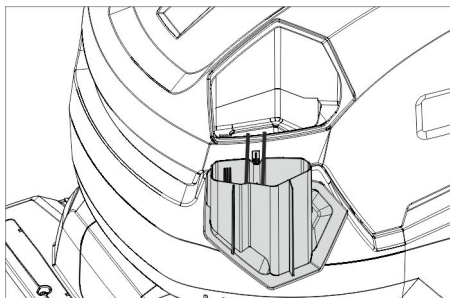
#### Indicación:

No utilice detergentes altamente espumosos.

Respete las indicaciones de dosificación.

➔ Desmontar la tapa dosificadora del depósito de agua fresca.

- Eche agua limpia (50 °C como máximo).  
Si fuera necesario, emplear la manguera de llenado (accesorio).



- Añadir detergente para utilizar la tapa dosificadora. Un llenado de la tapa corresponde a una aplicación del 1 %.

Detergente recomendado:

Empleo	Detergente
Limpeza de mantenimiento (también en suelos sensibles al álcali)	RM 745 RM 746
Limpeza básica (marca) de pavimentos duros resistentes al álcali	RM 752
Limpeza básica (marca) de linóleo	RM 754
Limpiador intensivo, ácido	RM 751
Desinfectante	RM 732

Detergente disponible en comercios especializados.

- Cerrar la tapa de dosificación del depósito de agua fresca.

### Configuraciones

- Aflojar el mango en estrella para ajustar la altura del volante.
- Ajustar el volante a la temperatura deseada.

- Ajustar el mango en estrella.
- Ajustar la dosis de solución de detergente de acuerdo a la suciedad y el tipo del pavimento.
- Ajustar en el valor deseado la empuñadura giratoria de la presión de apriete de cepillos.  
Ajustar la presión de apriete del cepillo solo cuando el cabezal esté elevado.

### Indicación:

Si el aparato en funcionamiento tira demasiado fuerte hacia delante, reducir la presión de apriete.

- Poner el interruptor Eco Mode en la posición deseada.  
Funcionamiento normal: El aparato trabaja con velocidad de cepillo máxima y máxima potencia de aspiración.

Eco: El aparato funciona con velocidad de rotación de cepillos y potencia de aspiración reducidas. De esta manera se reduce también el consumo de energía. Si se carga la batería aumenta el tiempo de aplicación posible.

### Apoyos de estacionamiento

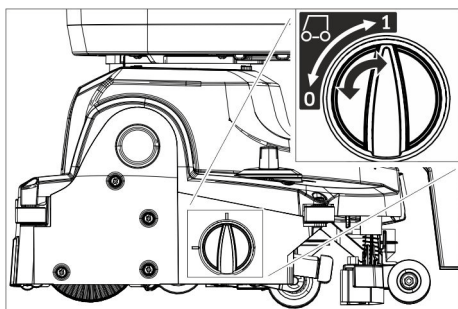
#### Bajar el soporte de estacionamiento

- Presionar ligeramente el volante para que el equipo se levante por delante.  
El soporte de estacionamiento gira hacia abajo.
- Soltar el volante.  
El equipo se encuentra sobre el soporte de estacionamiento.  
El cilindro de cepillos está descargado y protegido de la deformación.

#### Subir el soporte de estacionamiento

- Empujar el equipo hacia delante.  
El soporte de estacionamiento gira hacia arriba.

## Dispositivo de transporte



- 0 Dispositivo de transporte plegado
- 1 Dispositivo de transporte desplegado

### Desplegar el dispositivo de transporte

- Bajar el soporte de estacionamiento.
- Girar el botón giratorio a la posición 1 (despliegue del dispositivo de transporte).

### Plegar el dispositivo de transporte

- Bajar el soporte de estacionamiento.
- Girar el botón giratorio a la posición 0 (plegado del dispositivo de transporte).

## Limpieza

### **CUIDADO**

*Peligro de daños para el revestimiento del suelo. No utilice el aparato en esa zona. Peligro de daños en la instalación. Elevar la barra de aspiración antes de tirar del aparato hacia atrás durante un tramo largo.*

- Plegar el dispositivo de transporte.
- Colocar el interruptor principal en la posición "I".
- Conecte el interruptor de solución de detergente.
- Presionar el pedal de la elevación de la barra de aspiración por detrás hacia abajo para bajar la barra de aspiración e iniciar la aspiración.

- Tirar del interruptor de seguridad hacia el volante; se conectarán el accionamiento de cepillos, la aplicación de solución de detergente y la aspiración (si están ajustados).
- Desplazar el aparato hacia delante hasta que el soporte de estacionamiento se pliegue el cabezal de limpieza toque el suelo.
- Mover el aparato sobre la superficie a limpiar.

### **Nota:**

Si se gira el volante 180°, el aparato se desplaza también hacia atrás.

### Disposición de servicio

Si el equipo no se utiliza durante 15 minutos con el interruptor del equipo conectado, el funcionamiento se apaga.

### **Restablecer el funcionamiento:**

- Colocar el interruptor principal en la posición "0".
- Espere un poco.
- Colocar el interruptor principal en la posición "I".

## Detención y apagado

- Soltar el interruptor de seguridad.
- Conduzca el aparato entre 1-2 m hacia delante para aspirar el agua restante.
- Presionar el pedal de la elevación de la barra de aspiración por delante hacia abajo para elevar la barra de aspiración.

### **CUIDADO**

*Los racores de aspiración y los cepillos se pueden deformar de forma permanente. Aparcar el aparato siempre con el soporte de estacionamiento desplegado.*

- Colocar el interruptor principal en la posición "0".
- Presionar ligeramente el volante para que el equipo se levante por delante.



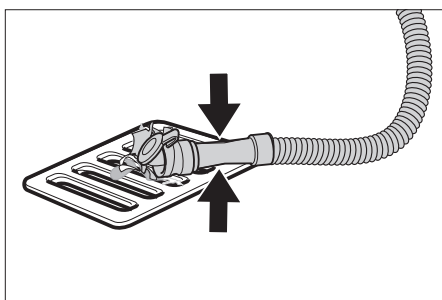
El soporte de estacionamiento gira hacia abajo.

### Vaciado del depósito de agua sucia

#### ⚠ PRECAUCIÓN

*Riesgo para la salud por agua sucia eliminada incorrectamente. Respetar la normativa local vigente en materia de tratamiento de aguas residuales.*

- Plegar el dispositivo de transporte.
- Subir el soporte de estacionamiento.
- Retire del soporte la manguera de salida y bájela mediante un mecanismo recogedor adecuado.



- Presionar o doblar el dispositivo de dosificación.
- Abra la tapa del dispositivo de dosificación.
- Purgar el agua sucia, regular el caudal de agua mediante presión o doblez.
- Aclare el depósito de agua sucia con agua limpia.

### Vaciado del depósito de agua limpia

#### ⚠ ADVERTENCIA

*Respetar la normativa local vigente en materia de tratamiento de aguas residuales.*

- Desatornillar la tapa de la boca de salida del depósito de agua limpia y dejar salir la solución de limpieza.

### Protección antiheladas

En caso de peligro de heladas:

- Vacíe el depósito de agua limpia y el depósito de agua sucia.
- Guarde el aparato en un lugar protegido de las heladas.

### Desmontar la columna de dirección

Para ahorrar espacio al transportar y almacenar la columna de dirección, se puede desmontar.

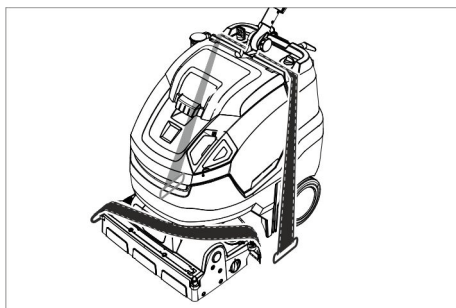
- Desbloquear el mango en estrella de la posición de transporte.
- Girar el volante totalmente hacia delante.
- Ajustar el mango en estrella.

### Transporte

#### ⚠ PRECAUCIÓN

*¡Peligro de lesiones y daños! Respetar el peso del aparato para el transporte.*

- Extraiga el cepillo para evitar que sufra daños.
- Levantar el equipo por las asas de transporte.



- Al transportar en vehículos, asegurar el aparato para evitar que resbale y vuelque conforme a las directrices vigentes.

### Puesta fuera de servicio

- Cargar totalmente la batería si el equipo no se va a utilizar durante varias semanas.

→ Colocar el interruptor principal en la posición "0".

### **CUIDADO**

*Peligro de daños en la batería por descarga total.*

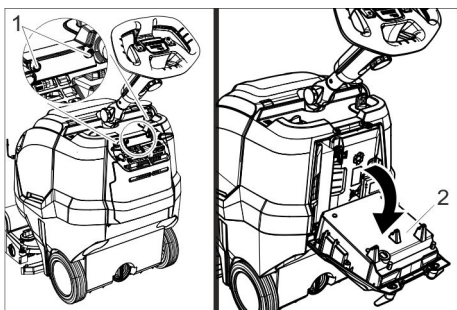
*Colocar el interruptor del equipo en "0" durante la pausa de funcionamiento.*

### **De manera adicional en equipos con Fleet**

### **CUIDADO**

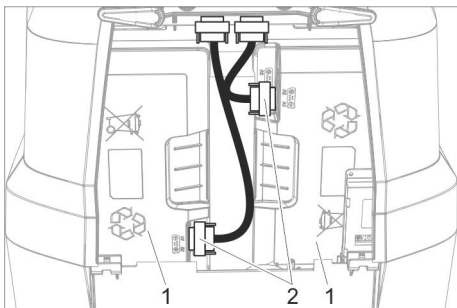
*Peligro de daños en la batería por descarga total.*

→ *Desembornar la batería si no se va a utilizar durante más de 4 meses.*



- 1 Tornillo
- 2 Cargador

→ Desatornillar los 2 tornillos.  
→ Girar el cargador hacia abajo.



- 1 Batería
- 2 Clavija de enchufe

→ Aflojar y retirar ambos conectores.

## **Almacenamiento**

### **△ PRECAUCIÓN**

*¡Peligro de lesiones y daños! Respetar el peso del aparato en el almacenamiento.*

Este aparato sólo se puede almacenar en interiores.

## **Cuidados y mantenimiento**

### **△ PELIGRO**

*Peligro de lesiones. Antes de realizar cualquier tipo de trabajo en el aparato colocar el interruptor a "0" y desenchufar el cargador.*

### **CUIDADO**

*Si se sale agua se puede dañar el aparato. Purgar el agua sucia y el resto de agua limpia antes de trabajar en el aparato.*

→ Coloque el dispositivo sobre una superficie plana.

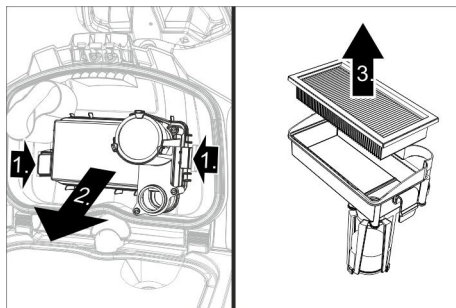
## **Plan de mantenimiento**

### **Después del trabajo**

### **CUIDADO**

*Peligro de daños en la instalación. No salpique al aparato con agua ni utilice detergentes agresivos.*

→ Purgue el agua sucia.  
→ Abra la tapa del depósito de agua sucia.

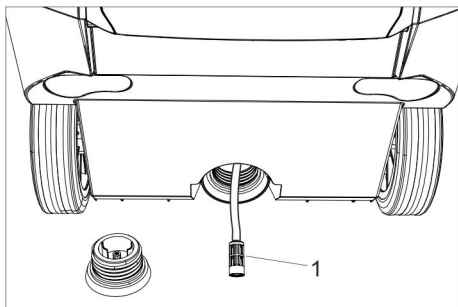


→ Retirar el filtro EPA (opcional) y dejarlo fuera del equipo para que se seque.

- Enjuagar con agua el interior de la tapa y el flotador.
- Aclare el depósito de agua sucia con agua limpia.
- Limpiar la barra de aspiración.
- Extraer el depósito de partículas gruesas de suciedad y vaciarlo.
- Limpie el aparato por fuera con un trapo húmedo ligeramente empapado en una solución jabonosa suave.
- Limpie los labios de aspiración; compruebe si presentan desgaste y, en caso necesario, reemplácelos.
- Limpieza del cepillo.
- Compruebe si los cepillos presentan desgaste y, en caso necesario, cámbielos (véase "Trabajos de mantenimiento").
- Si es necesario recargar la batería.

### Todas las semanas

- Quitar la regleta de distribución de agua del cabezal de limpieza y limpiar el canal de agua.
- Limpiar el filtro de pelusas.



1 Filtro de agua limpia

- Desatornillar la tapa de la boca de salida del depósito de agua limpia.
- Extraer el filtro de agua limpia y enjuagarlo con agua fresca.

### Mensualmente

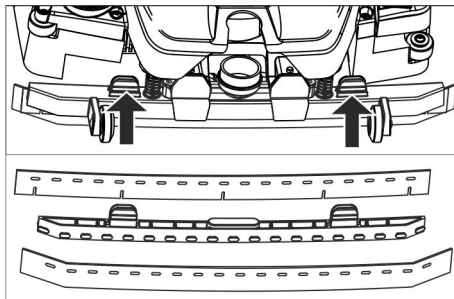
- Compruebe el estado de las juntas situadas entre el depósito de agua sucia y la tapa y, en caso necesario, cámbielas.

### Anualmente

- Encargue al servicio técnico la revisión anual obligatoria.

### Trabajos de mantenimiento

#### Recambio de los labios de aspiración



- Presionar los elementos de fijación y tirar hacia abajo de los racores de aspiración fuera de la barra de aspiración.
- Tirar de los racores de aspiración por el soporte.

#### Indicación:

Los racores de aspiración tienen un patrón de orificios para evitar confusiones. No se pueden dar la vuelta y volver a colocarlos.

- Cambiar los racores de aspiración.
- Colocar y encajar el soporte con los racores de aspiración en la barra de aspiración.

#### Cambio del cepillo rotativo

##### △ **ADVERTENCIA**

*Riesgo de aplastamiento si se pliega el soporte de estacionamiento mientras se cambia el cepillo. Antes de cambiar el cepillo, girar el volante 45° hacia la izquierda.*

- Presionar el botón de desbloqueo del cepillo rotativo y girar cepillo rotativo hacia abajo y extraer del arrastrador.
- Insertar los nuevos cepillos rotativos en el arrastrador y encajarlos en el lado contrario.

## Contrato de mantenimiento

Para garantizar el funcionamiento seguro del aparato, es posible firmar contratos de mantenimiento con el departamento comercial correspondiente de Kärcher.

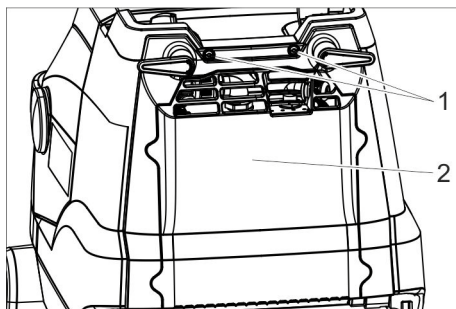
## Eliminación de desechos

### Desmontar las baterías

#### ⚠ PELIGRO

*Solo el servicio de postventa de Kärcher o el personal especialista puede desmontar las baterías.*

*Un técnico autorizado se encarga de evaluar si las baterías están dañadas. Es imprescindible respetar el capítulo "Indicaciones de seguridad" sobre la manipulación de las baterías.*



- 1 Tornillo
- 2 Tapa

- ➔ Desatornillar los 2 tornillos.
- ➔ Girar la tapa hacia abajo.
- ➔ Aflojar y quitar la clavija de la batería.
- ➔ Extraer la batería izquierda.
- ➔ Extraer la batería derecha.
- ➔ Eliminar las baterías usadas de acuerdo con las normativas vigentes.

## Averías

#### ⚠ PELIGRO

*Peligro de lesiones. Antes de realizar cualquier tipo de trabajo en el aparato colocar el interruptor a "0" y desenchufar el cargador.*

#### CUIDADO

*Si se sale agua se puede dañar el aparato. Purgar el agua sucia y el resto de agua limpia antes de trabajar en el aparato.*

Cuando las averías no se puedan solucionar con ayuda de la tabla que aparece a continuación, acuda al servicio técnico.

### Averías con indicación

Ver	Avería	Modo de subsanarla
El piloto de control del accionamiento de cepillos parpadea en naranja	Control sobrecalentado	Apagar el interruptor del equipo, esperar unos minutos y encender de nuevo el interruptor del equipo.
	El cepillo está bloqueado.	Compruebe si hay cuerpos extraños bloqueando los cepillos rotativos y, de ser así, elimínelos.

<b>Ver</b>	<b>Avería</b>	<b>Modo de subsanarla</b>
El piloto de control de aspiración parpadea en naranja	Control sobrecalentado	Apagar el interruptor del equipo, esperar unos minutos y encender de nuevo el interruptor del equipo.
El indicador de estado de la batería parpadea en rojo	Avería durante el proceso de carga.	Desenchufar el enchufe del cargador. Esperar 10 segundos. Enchufe de nuevo la clavija de red. Si se visualiza de nuevo el fallo: Llamar al servicio técnico.
El piloto de control Eco Mode parpadea en azul	La capacidad de la batería está casi agotada, el equipo funciona con potencia reducida.	Cargue la batería.

### **Averías sin indicación**

<b>Avería</b>	<b>Modo de subsanarla</b>
No se puede poner en marcha el aparato	Conectar el interruptor del aparato, esperar 3 segundos, comprobar el estado de carga de la batería.
Caudal de agua insuficiente	Compruebe el nivel de agua limpia y, de ser necesario, llene el depósito.
	Conecte el interruptor de solución de detergente.
	Limpiar el filtro de agua limpia.
	Quitar la regleta de distribución de agua del cabezal de limpieza y limpiar el canal de agua.
Potencia de aspiración insuficiente	Baje la barra de aspiración.
	Vacíe el depósito de agua sucia.
	Limpe las juntas situadas entre el depósito de agua sucia y la tapa; compruebe su estanqueidad y, en caso necesario, cámbielas
	Limpe los labios de aspiración de la barra de aspiración y, en caso necesario, girar o cambiar
	Compruebe si la manguera y la barra de aspiración está obstruida y, de ser necesario, desatásquela
	Compruebe si el tubo de aspiración está hermética y, en caso necesario, cámbielo.
	Filtro EPA (opcional) sucio, cambiar filtro.

<b>Avería</b>	<b>Modo de subsanarla</b>
Resultados de limpieza insuficientes	Plegar el dispositivo de transporte.
	Comprobar / ajustar la presión de apriete de los cepillos.
	Compruebe que el tipo de cepillo y el detergente son adecuados.
	Compruebe si los cepillos presentan desgaste y, en caso necesario, cámbielos.
Los cepillos no giran	Tirar del interruptor de seguridad hacia el volante.
	Compruebe si hay cuerpos extraños bloqueando los cepillos rotativos y, de ser así, elimínelos. Desconecte el interruptor del accionamiento de cepillos, espere un poco y vuelva a conectarlo.

## Accesorios

En función de la tarea de limpieza de que se desee realizar, es posible dotar al aparato de distintos accesorios. Solicite nuestro catálogo o visítenos en la página de internet [www.kaercher.com](http://www.kaercher.com).

<b>denominación</b>	<b>No. de pieza</b>	<b>Descripción</b>
Cepillo rotativo, blanco (suave)	4.762-405.0	Para pulir pavimentos.
Cepillo rotativo, rojo (medio, estándar)	4.762-392.0	Para limpiar pavimentos de poca suciedad o delicados.
Cepillo rotativo, verde (duro)	4.762-407.0	Para limpiar pavimentos muy sucios.
Cepillo rotativo, naranja (alto/profundo)	4.762-406.0	Para frotar pavimentos con estructura (alicatado de seguridad etc.)
Rodillo de microfibras	4.037-093.0	Especial para gres, cepillo de limpieza de microfibras con una capacidad de limpieza especialmente grande.
Eje de cilindro pad	4.762-413.0	Para alojamiento del pad del cilindro.
Pad del cilindro, rojo (medio)	6.367-107.0	Para limpiar pavimentos ligeramente sucios.
Pad del cilindro, verde (duro)	6.367-106.0	Para limpiar pavimentos de suciedad normal hasta grande.
Pad del cilindro, amarillo (suave)	6.367-105.0	Para pulir pavimentos.
Manguera de llenado	6.680-124.0	Para llenar el depósito de agua fresca
Set de racores de aspiración	4.037-094.0	Como recambio
Filtro EPA	6.414-631.0	

## Datos técnicos

### Potencia

Tensión nominal	V	25.2
Capacidad de batería	Ah (5h)	42
Tipo de batería	--	Li-Iones
Consumo medio de energía Power/Eco	W	650/350
Categoría de protección	--	IPX3
Clase de protección	--	1
Potencia del motor de aspiración	W	280
Potencia del motor de barrido	W	185
Rango de temperatura de servicio	°C (°F)	2...40 (36...104)
Temperatura máxima del agua	°C (°F)	50 (122)

### Aspirar

Potencia de aspiración, volumen de aire Power/Eco	l/s (cfm)	20/15 (42/30)
Potencia de aspiración, baja presión Power/Eco	kPa (psi)	8/5 (1.2/0.7)

### Cepillos de limpieza

Anchura de trabajo	mm (in)	450 (17.7)
Diámetro cepillos	mm (in)	96 (3.8)
Velocidad de rotación de cepillos Power/Eco	1/min	1050/750

### Cargador

Tensión	V/Hz	100...120/50-60
Consumo de corriente, máx.	A	4

### Medidas y pesos

Potencia teórica por metro cuadrado	m <sup>2</sup> /h (ft <sup>2</sup> /h)	1800 (19400)
-------------------------------------	--	--------------

Volumen de los depósitos de agua limpia y agua sucia	l (gal)	22 (5.8)
Peso total admisible	kg (lbs)	70 (154)
Peso de transporte	kg (lbs)	48 (106)
Longitud x anchura x altura	mm (in)	970 x 530 x 1115 (38.2 x 20.9 x 43.9)
Longitud x anchura x altura Transporte	mm (in)	780 x 530 x 815 (30.7 x 20.9 x 32.1)

### Valores calculados conforme a la norma EN 60335-2-72

Valor total de oscilación	m/s <sup>2</sup>	<2.5
Inseguridad K	m/s <sup>2</sup>	0.2
Nivel de presión acústica L <sub>pA</sub>	dB(A)	66.5
Inseguridad K <sub>pA</sub>	dB(A)	2
Nivel de potencia acústica L <sub>WA</sub> + inseguridad K <sub>WA</sub>	dB(A)	87

## Garantía

En todos los países rigen las condiciones de garantía establecidas por nuestra empresa distribuidora. Las averías del accesorio serán subsanadas gratuitamente dentro del periodo de garantía, siempre que se deban a defectos de material o de fabricación. En un caso de garantía, le rogamos que se dirija con el comprobante de compra al distribuidor donde adquirió el aparato o al servicio al cliente autorizado más próximo a su domicilio.

## Piezas de repuesto

Utilice solamente accesorios y recambios originales, ya que garantizan un funcionamiento correcto y seguro del equipo. Puede encontrar información acerca de los accesorios y recambios en [www.kaercher.com](http://www.kaercher.com).



<http://www.kaercher.com/dealersearch>

